



**WATER
RESISTANT**

BRL75Z-FL EWR

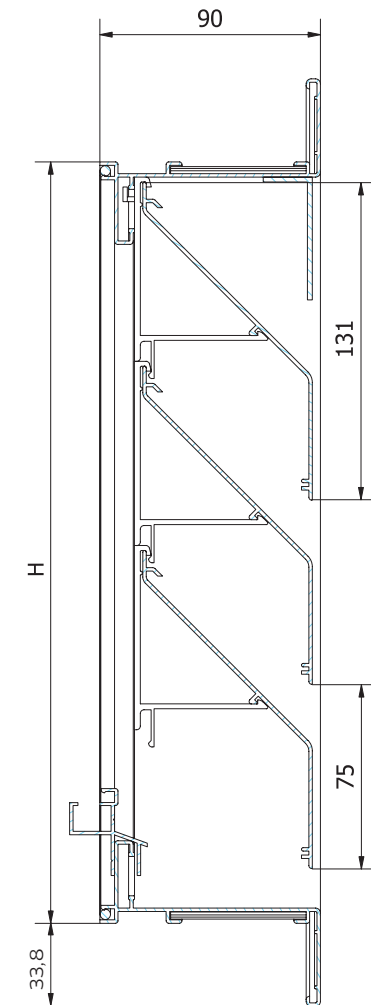
Wall louvre with flange with 75 Z-blade



TECHNICAL DETAILS	
Profile	Extruded alu profiles EN AW-6060 T66 (AlMgSi0.5 F22)
Profile thickness	min. 1,4 mm
Height of the blade	131 mm
Blade pitch	75 mm
Depth to fit	84 mm
Flange depth	33,8 mm
Visual free area	33%
Physical free area	23%
Stainless steel mesh	RVS (AISI 304) with apertures 2.3 x 2.3 mm
Reinforcement	Louvers wider than 700 mm are provided with a reinforcement profile carrying additional blade supports to strengthen the wide louver
INSTALLATION	
Brackets (supplied as standard)	
SHAPES	
Rectangular. square	
OPTIONS	
Insect mesh; water gutter.	

DIMENSIONS

Min. dimension (height x width): 300 x 300 mm
Max. dimension (height x width): 2000 x 4000 mm
Other dimensions on request



FL EWR