



**WATER  
RESISTANT**

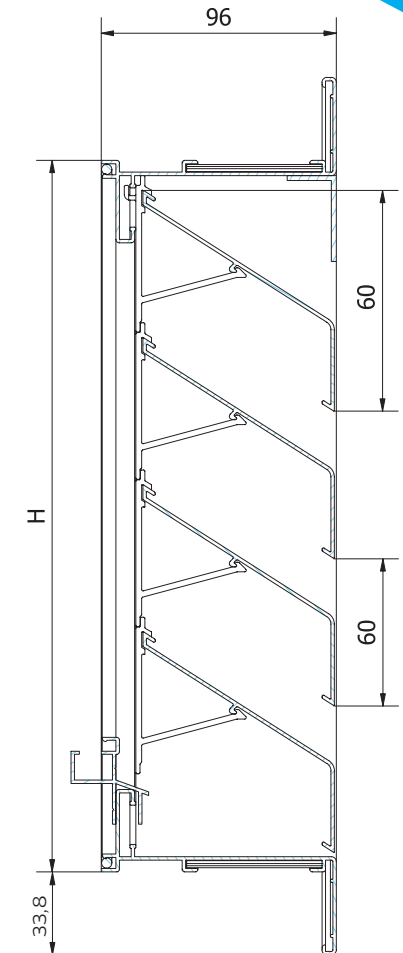
## BRL60Z-FL EWR

Wall louvre with flange with 60 Z-blade



TECHNICAL DETAILS	
Profile	Extruded alu profiles EN AW-6060 T66 (AlMgSi0.5 F22)
Profile thickness	min. 1,4 mm
Height of the blade	60 mm
Blade pitch	60 mm
Depth to fit	89,8 mm
Flange depth	33,8 mm
Visual free area	40%
Physical free area	33%
Stainless steel mesh	RVS (AISI 304) with apertures 2.3 x 2.3 mm
Reinforcement	Louvres wider than 700 mm are provided with a reinforcement profile carrying additional blade supports to strengthen the wide louvre
INSTALLATION	
Brackets (supplied as standard)	
SHAPES	
Rectangular. square	
OPTIONS	
Insect mesh; water gutter.	

DIMENSIONS	
Min. dimension (height x width): 200 x 200 mm	
Max. dimension (height x width): 2000 x 4000 mm	
Other dimensions on request	



FL EWR