



**WATER
RESISTANT**

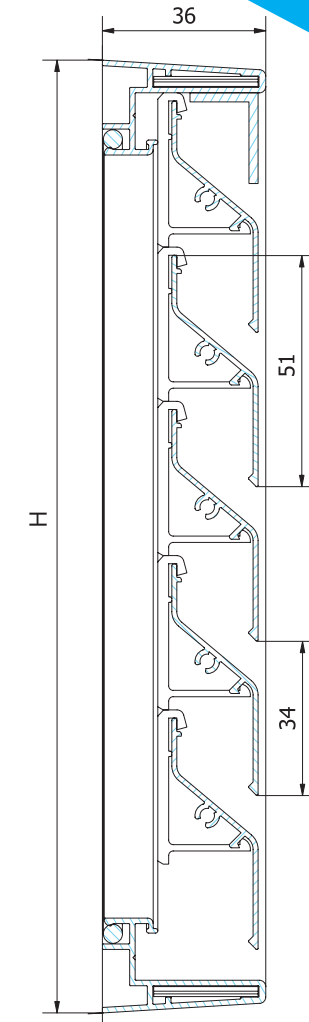
BRL34Z-SM EWR

Surface mounted louvre with 34 Z-blade



TECHNICAL DETAILS	
Profile	Extruded alu profiles EN AW-6060 T66 (AlMgSi0.5 F22)
Profile thickness	min. 1,1 mm
Height of the blade	51 mm
Blade pitch	34 mm
Frame depth	36 mm
Visual free area	29%
Physical free area	21%
Stainless steel mesh	RVS (AISI 304) with apertures 2.3 x 2.3 mm
Reinforcement	Louvres wider than 700 mm are provided with a reinforcement profile carrying additional blade supports to strengthen the wide louvre
INSTALLATION	
By means of screws and plugs (not included)	
SHAPES	
Rectangular. square	
OPTIONS	
Insect mesh; water gutter.	

DIMENSIONS
Min. dimension (height x width): 200 x 200 mm
Max. dimension (height x width): 2000 x 4000 mm
Other dimensions on request



SM EWR