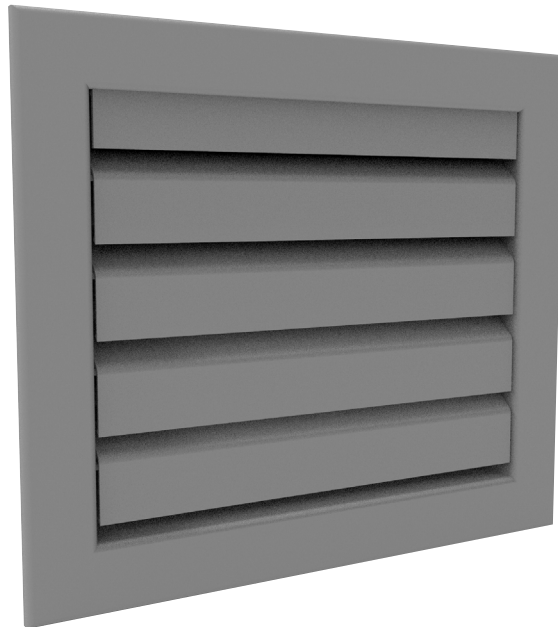




**WATER
RESISTANT**

BRL34Z-FL EWR

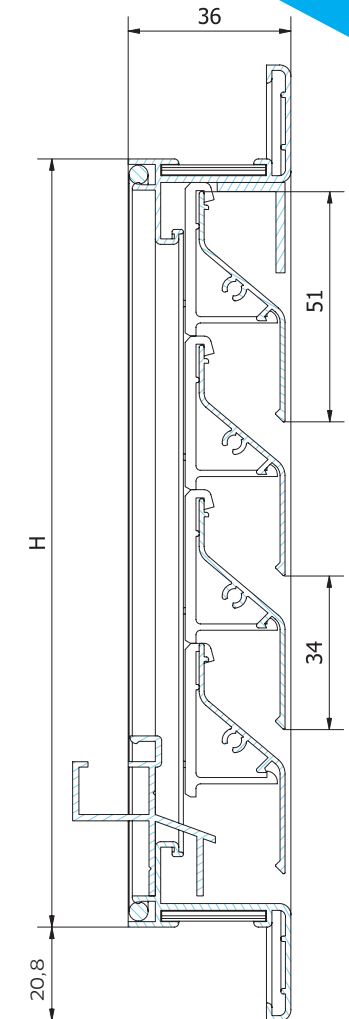
Wall louvre with flange with 34 Z-blade



TECHNICAL DETAILS	
Profile	Extruded alu profiles EN AW-6060 T66 (AlMgSi0.5 F22)
Profile thickness	min. 1,1 mm
Height of the blade	51 mm
Blade pitch	34 mm
Depth to fit	30,6 mm
Flange depth	20,8 mm
Visual free area	29%
Physical free area	21%
Stainless steel mesh	RVS (AISI 304) with apertures 2.3 x 2.3 mm
Reinforcement	Louvres wider than 700 mm are provided with a reinforcement profile carrying additional blade supports to strengthen the wide louvre
INSTALLATION	
Brackets (supplied as standard)	
SHAPES	
Rectangular. square	
OPTIONS	
Insect mesh; water gutter.	

DIMENSIONS

Min. dimension (height x width): 200 x 200 mm
Max. dimension (height x width): 2000 x 4000 mm
Other dimensions on request



FL EWR