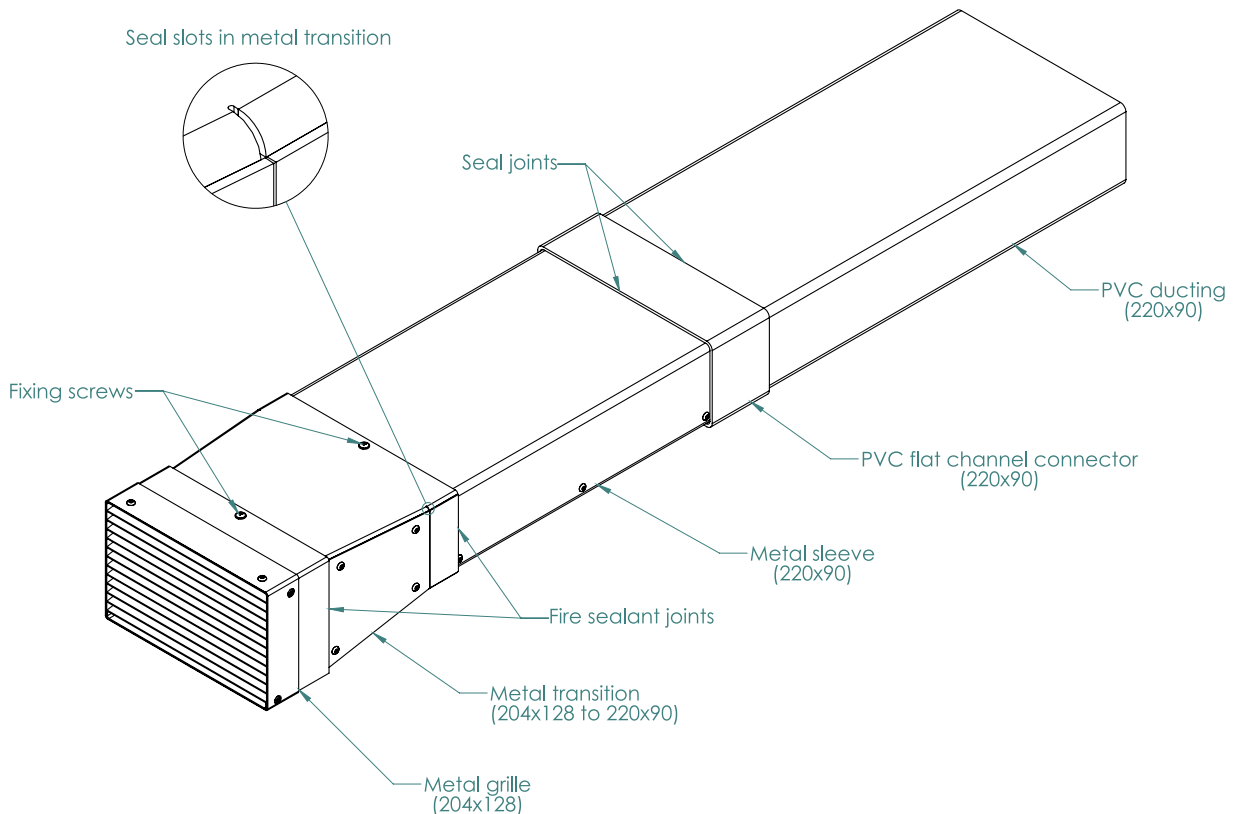


Double airduct FIREBRICK

Installation manual

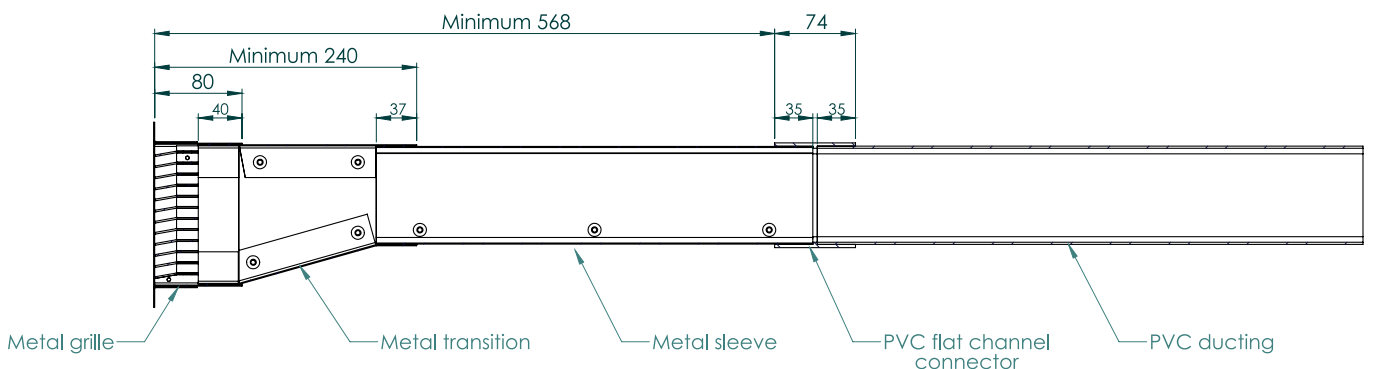
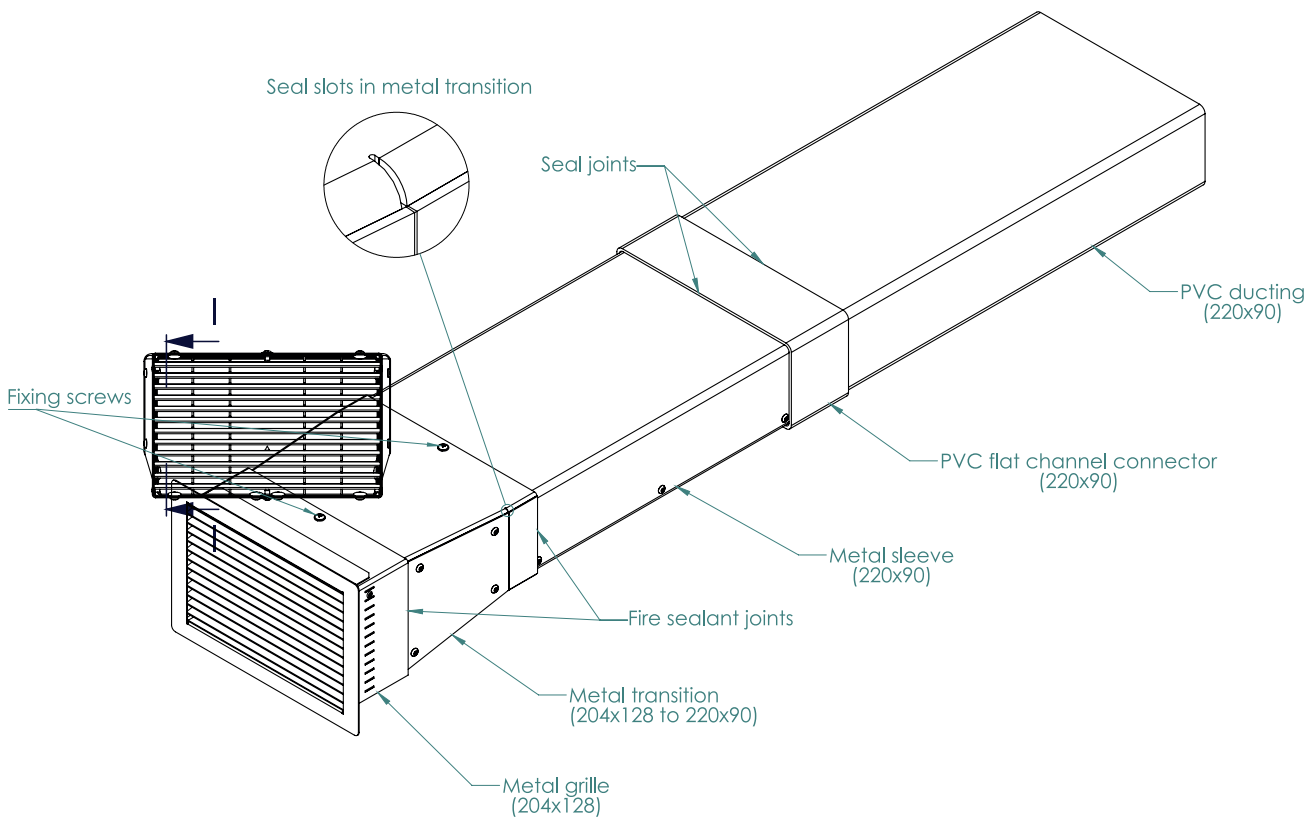
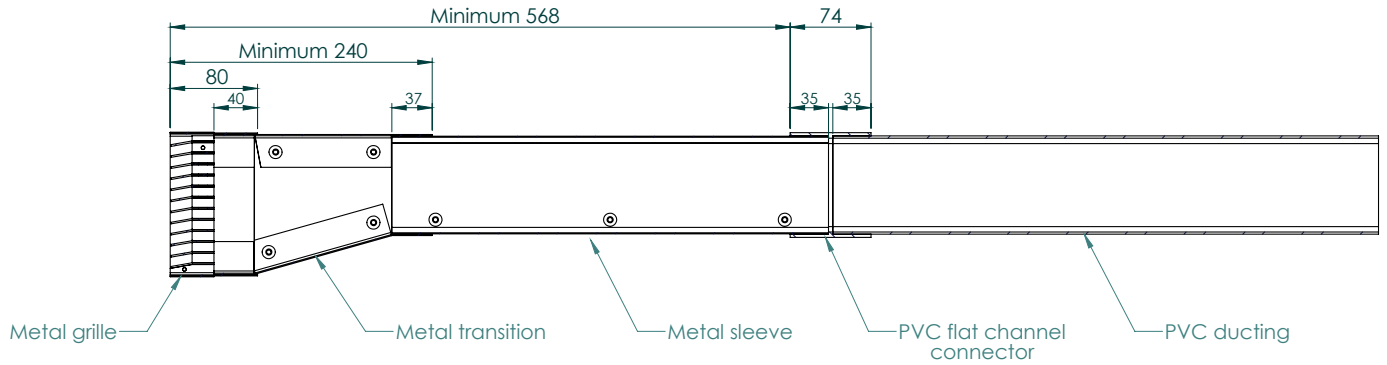
INSTALLATION

- The painted surface cannot be damaged.
- The airduct FIREBRICK needs to be install in accordance with the Residential Ventilation Association Good Practice Recommendations and the Domestic Ventilation Compliance Guide (DVCG).
- Support the ducting during installation and ensure it slopes towards the outside.
- It is recommended to use the self-tapping screws suitable for a Ø3.5mm hole for connection of the metal air bricks to the metal adaptors/sleeves.
- The elements must be fire sealed to the inner wall according to the instruction given below.



BROOKVENT™ airduct^o FIREBRICK

Installation manual



BROOKVENT™