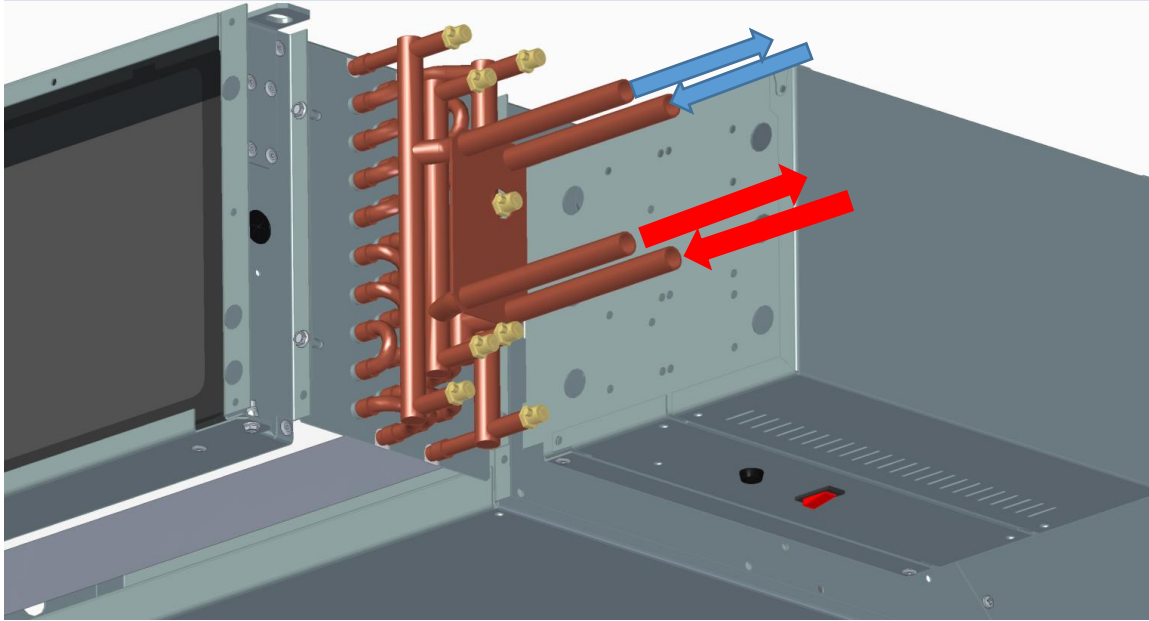


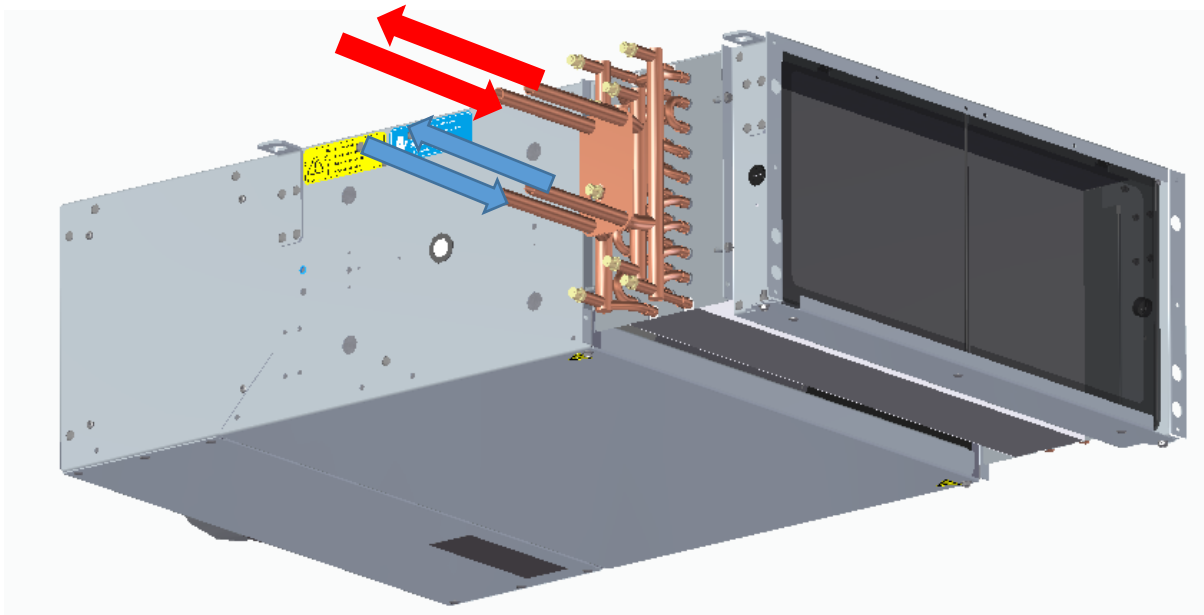
## ProAir 270 and ProAir 235 Coil Connections

For handing identification, please refer to ratings plate on underside of unit or alternatively match the unit to the images. The drain tray has been removed for clarity.

### Left Hand Units



### Right Hand Units



Electrics box removed for clarity.