



When you want the neatest finish to your PVC windows the airvent click PVC is a superb choice. The vent comes complete with sleeve and collar for easy installation and springs into action with a simple touch.



**DIMENSIONS:**  
(width x height x depth)



**Internal Vent**  
Click 3000 PVC  
338 x 22 x 58/61/69/120 [mm]



**External Hood**  
Tip Vent  
430 x 21 x 23 [mm]

**COLOURS:**



White



Gray



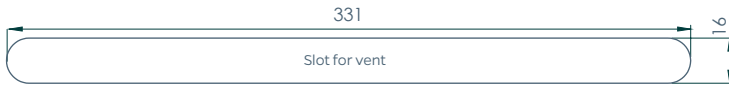
White gray



Bespoke colour

**SLOT DETAILS [mm]:**

Click 3000 PVC



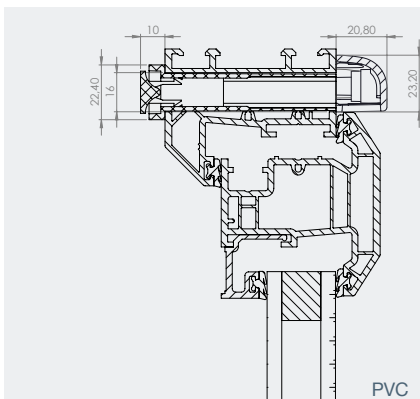
**FEATURES:**

- ✓ Super low-profile vent complete with sleeve for excellent performance and fit.
- ✓ Great flush mounted design. When closed the vent's height is just 5mm.
- ✓ Patented Easy-Click function, which allows full or partial opening.
- ✓ Designed for PVC and aluminium windows (other models available for other window types).
- ✓ Simple mounting with just 2 screws. Easy and quick assembly and disassembly.
- ✓ Made in Europe using highest quality anodised aluminium and ABS.

**AIRFLOW / ACOUSTIC / WATER TIGHTNESS:**

Model	Equivalent Area EA [mm <sup>2</sup> ]	Airflow Open @20Pa	Acoustics Dnew (c;Ctr)	Water tightness (Closed Position) [Pa]
Click 3000 PVC	2500	35 m <sup>3</sup> /h	34 (-1;0) dB	600 Pa

**CROSS SECTION [mm]:**



**CLOSING MECHANISM:**

