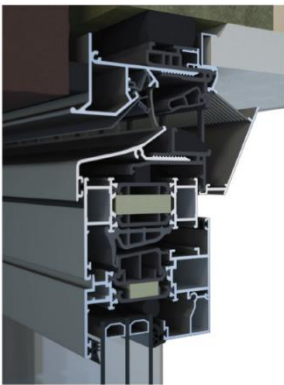
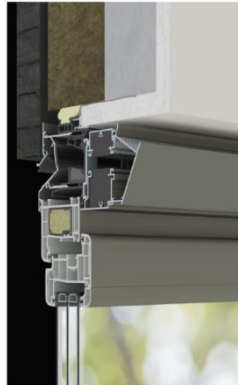


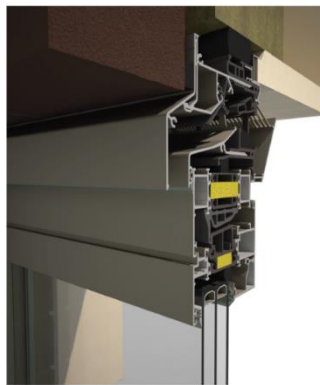
OF STANDARD
OF ACO
OF EX
OF EX ACO



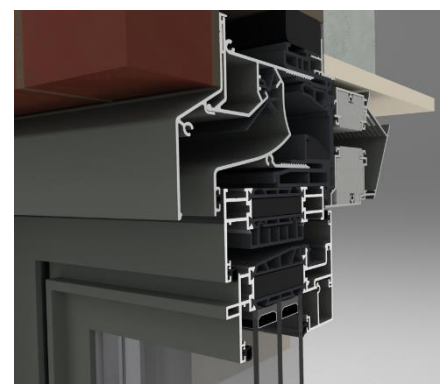
OF STANDARD



OF ACO



OF EX



OF EX ACO

Installation, maintenance & user manual

Applicable to the following airvent OF models:

airvent OF STANDARD
airvent OF ACO
airvent OF EX
airvent OF EX ACO

TABLE OF CONTENTS

1. Installation of window vent airvent OF STANDARD, OF ACO, OF EX and OF EX ACO on window frame	3
2. Preparation.....	3
3. Installation.....	4
4. Window vent assembly drawings.....	5
5. Cross section.....	6
6. Notes	7

1. Installation of window vent airvent OF STANDARD, OF ACO, OF EX and OF EX ACO on window frame

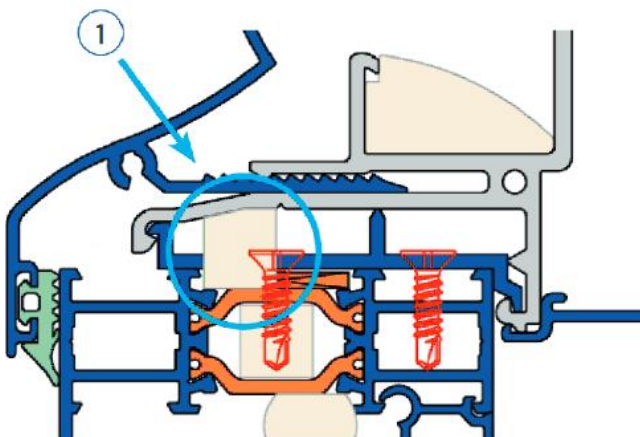
- ✓ The airvent OF is an overframe vent with a simple, strong and quick fixing system.
- ✓ The vent becomes an integral part of the window.
- ✓ Units with “EX” suffix offer increased weatherability and “ACO” units offer sound reduction up to 43dB in the open position.
- ✓ The vent provides excellent airflow and superb aesthetics.
- ✓ The vent must be fitted before the window is installed.

2. Preparation

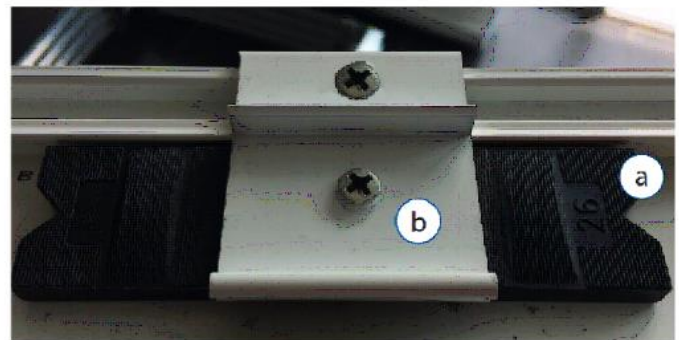
1. Each vent is manufactured to match the width of the window frame. Match the correct vent to the frame.
2. Identify the fixing plates (see 'b' on the picture below).
3. Mark out positions for the fixing plates on top of the frame on the inside edge.
4. The plates should be fixed a maximum 100 mm from the corners and then at a distance not exceeding 500 mm centres. A minimum of 3 fixing plates must be used. See the chart below for guidance:
 - ❖ $L < 1200$: 3 fixation plates
 - ❖ $1200 \leq L < 1700$: 4 fixing plates
 - ❖ $1700 \leq L < 2200$: 5 fixing plates
 - ❖ $2200 \leq L < 2700$: 6 fixing plates
 - ❖ $2700 \leq L < 3200$: 7 fixing plates
 - ❖ $L \leq 3500$: 8 fixing plates
5. Support blocks must be placed to keep the plates horizontal / level ('a' on the picture below).
6. The plates are pre-drilled with 2 x 5 mm holes. Use screws suitable to your window system.
7. Expanding tape should be fitted to form a continuous barrier to protect against capillary action (see '1' on the cross-section drawing below).

8. The tape can be fitted before or after the fixing plates, but care must be taken to ensure continuity.
9. During installation a bead of silicon sealant will be placed close to the front of the window, ensure you have a suitable space for this.
10. Remove protective tape from the top section of the window profile to stop it becoming trapped.
11. Split the vent into the front and rear parts. It may be possible to ease the vent into a wider setup which will enable fitting without splitting into two parts. This will be dictated by the particular window profile.

Placement of expanding tape (1):



Supporting block (a) and fixing plate (b):



3. Installation

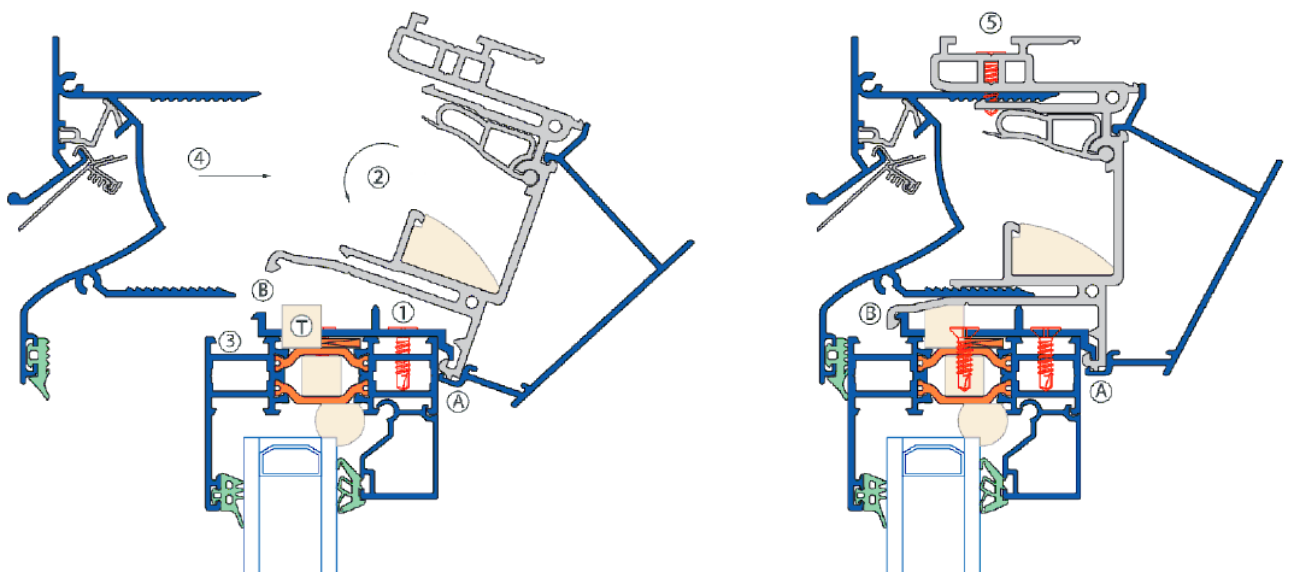
Important

The numbers and letters in parentheses in the steps below correspond to the vent assembly drawings presented on the next page.

1. Once the plates (1) and tape (T) are in place, offer the rear (inside) part of the vent to the inside of the window (A) and twist forward (2) to capture the vent on the clips (B). Make sure the vent is correctly lined up to the window ends. Make sure all clips have been captured. Move the vent lever to the open position (sticking out). This moves the control flap out of the way during assembly and fixing.

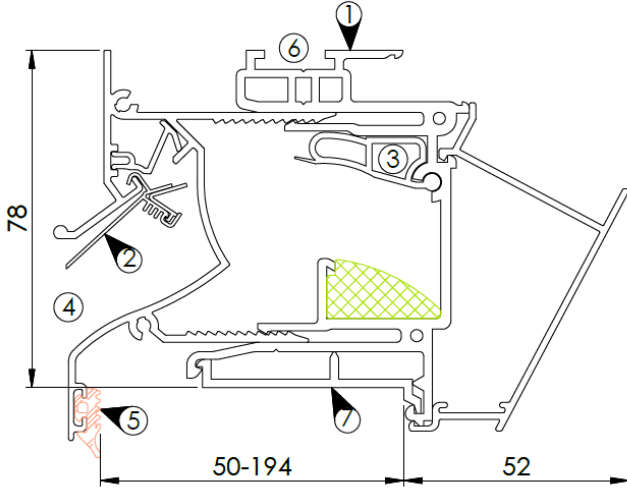
2. Run a bead of silicon sealant the full length of the window frame near the front (3).
3. Now bring the front (outside) section of the vent to engage with the fixed part (4). Push together to form a loose fit. Check that the vent sits neatly on top of the window. If the vent is not seating, then it could be that the tape is too thick or badly placed.
 - ❖ **Note:** there are occasions when a fitter will choose to add a screw at each end inside the endcap at the front to pull the vent into place. This is not encouraged but is acceptable. If you choose this then pay careful regards to where you are placing the screws. Only add these screws at the end of the fitting process.
4. Pull the two halves of the vent together until the vent sits snugly on top of the window. Ensure that the end caps are still lined up with the sides of the window.
5. Make sure the vent levers are still in the open position (this is very important). Now you can screw through the top of the unit to fix the two parts together (5). Use 3.5 x 15 mm screws a maximum of 1000 mm apart at least two per vent (this is the point where extra screws can be used if desired).
6. Check the operation of the levers and the installation is complete. The window can now be fitted into its opening.

4. Window vent assembly drawings

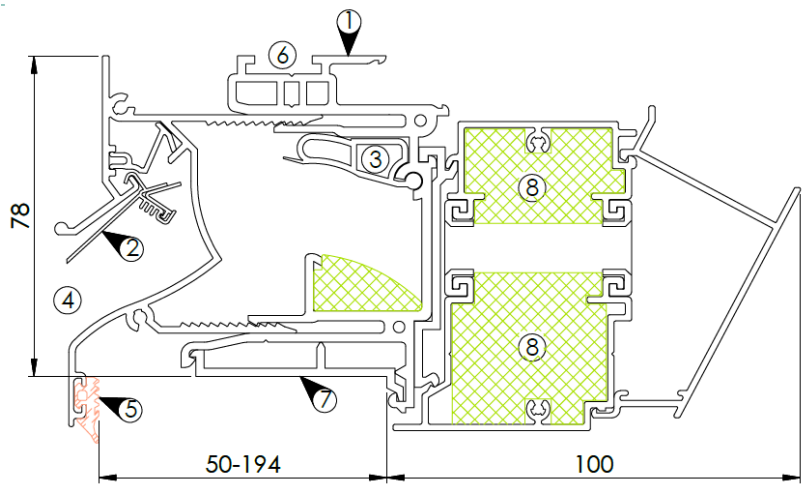


5. Cross section

Window vent Airvent OF Standard - cross-section view:

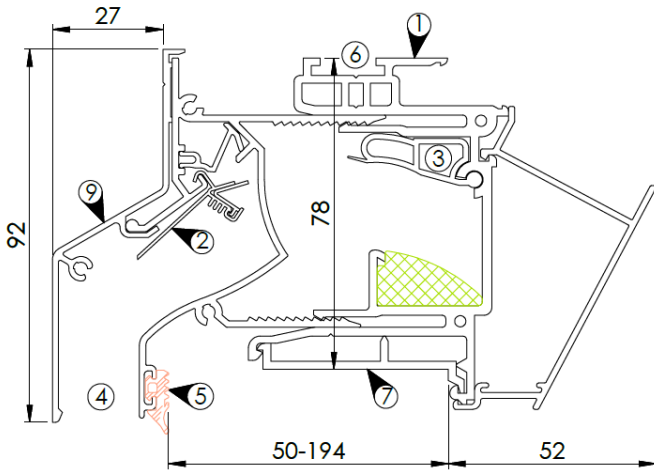


Window vent Airvent OF Aco - cross-section view:

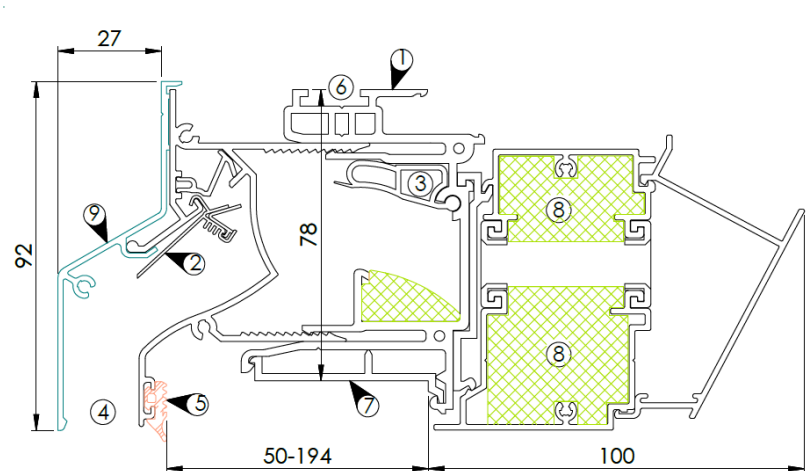


- 1 Thermal break 2 Self-regulating flap 3 Adjustable air inlet flap 4 Air inlet 5 Frame sealing
6 Euronut groove 14/18 7 Fixation plate 8 Additional acoustic insulation

Window vent Airvent OF EX - cross-section view:

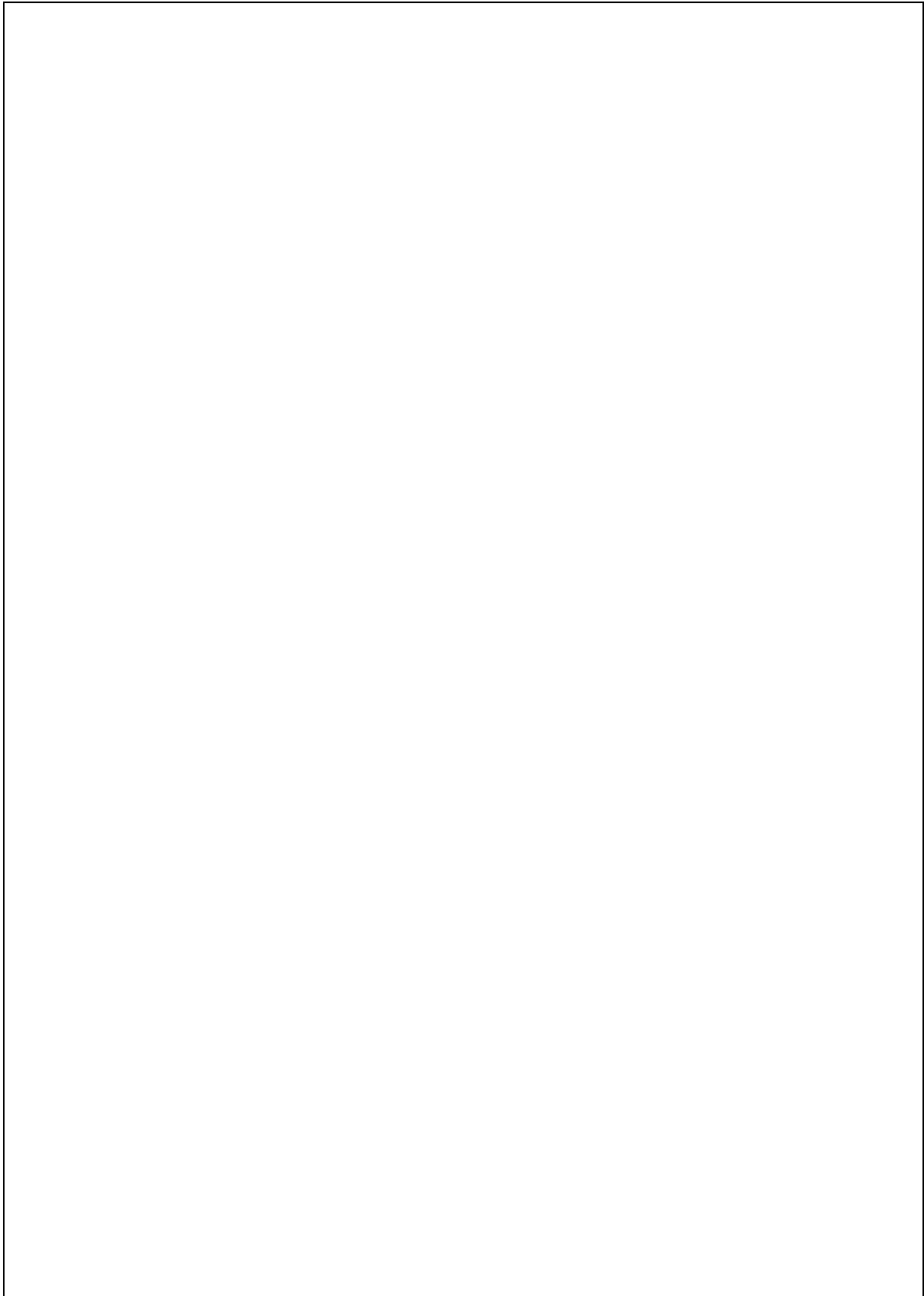


Window vent Airvent OF EX Aco - cross-section view:



- 1 Thermal break 2 Self-regulating flap 3 Adjustable air inlet flap 4 Air inlet 5 Frame sealing
6 Euronut groove 14/18 7 Fixation plate 8 Additional acoustic insulation 9 Rain cover

6. Notes



V1 25.08.2021 UK