

# **BROOKVENT** airvent

**DG 75**

**DG/DGL 80**

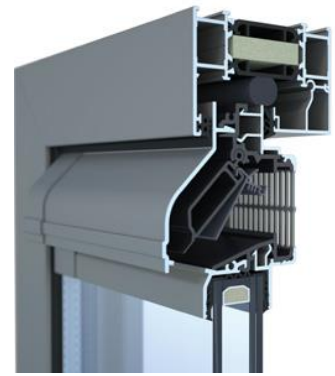
**DG/DGL 80 EX**



**DG 75**



**DG/DGL 80**



**DG/DGL 80 EX**

## Installation, maintenance & user manual

Applicable to the following airvent DG/DGL (EX) models:

airvent DG 75  
airvent DG 80  
airvent DGL 80  
airvent DG 80 EX  
airvent DGL 80 EX

**TABLE OF CONTENTS**

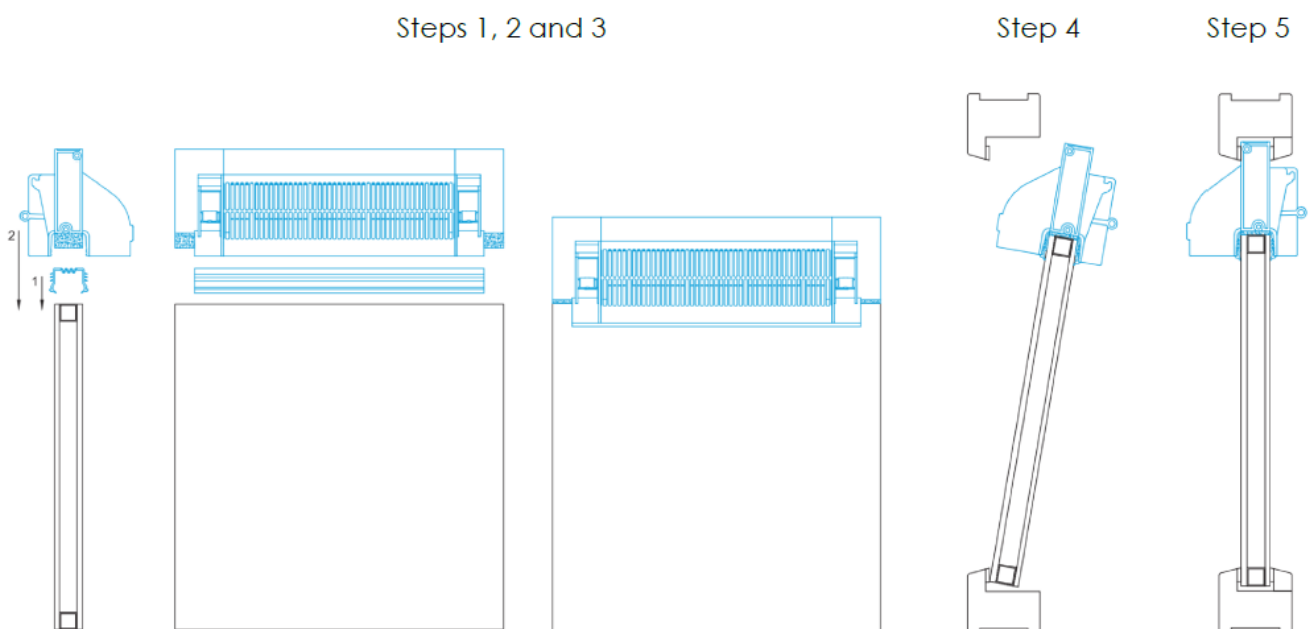
1. Installation of window vent airvent DG 75, airvent DG/DGL 80 EX and airvent DG/DGL 80 on glass.....	3
2. Fitting instructions .....	4
3. Cross section .....	5
4. Notes.....	7

## 1. Installation of window vent airvent DG 75, airvent DG/DGL 80 EX and airvent DG/DGL 80 on glass

- ✓ The number in the name of the vent designates the height reduction of the glass; for example, the airvent DG 80 EX has a glass reduction height of 80 mm.
- ✓ The vent is designed to sit on top of the glazing unit and to slot into the glazing pocket. The complete assembly is held in place by the glazing beads.
- ✓ **Vents should be ordered the same length as the width of the glass.** It is also important to supply the distance between beads (visible glass width). This is to ensure correct fit.
- ✓ The vent-glass interface is formed by a glazing gasket or possibly silicon seal with expanding tape in the endcap area. This combination ensures a weathertight fit.
- ✓ The expanding tape is factory fitted.
- ✓ The glazing gasket is supplied full length and will need to be cut to size.

## 2. Fitting instructions

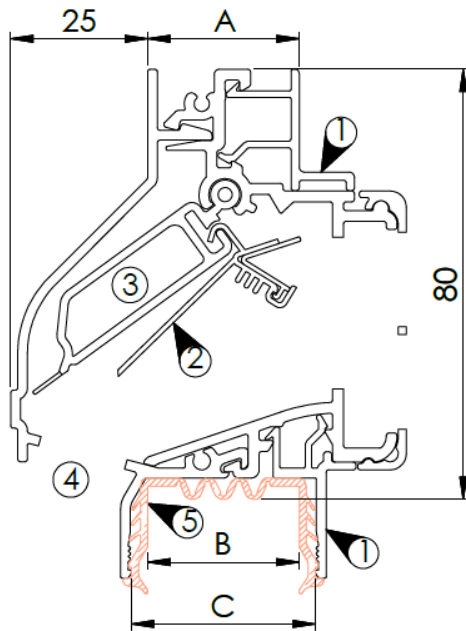
1. Cut gasket to suitable size. Usually, the width of the visible glass between the beads.
2. Place gasket centrally on the glass (see '1' on the drawing below).
3. Push the vent straight onto the gasket ensuring it to is central (see '2' on the drawing below). Ensure the vent is fully seated, the expanding tape fills the gap between the endcaps and glass. Check the levers are on the inside.
4. Once the vent is mounted on the glass the assembly can be placed into the window frame. Place the bottom of the unit into the window on suitable glazing blocks and offer the assembly into place. Check for correct positioning. Check the vent is firmly in place on top of the glass.
5. Install glazing beads and make a final check for fitment. Check the operation of the vent by moving the levers.



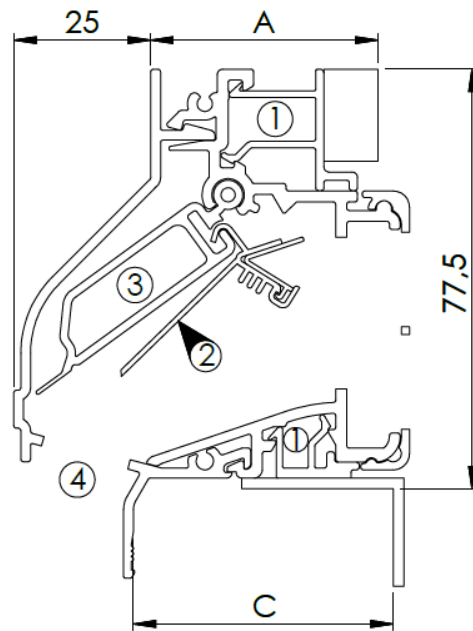
3. Cross section

Model	Dimensions [mm]		
	A	B	C
airvent DG 80 EX	21/24/28/32	21/24/28/32	27/30/34/38
airvent DGL 80 EX	33-47		39-53
airvent DG 80	24/28/32	24/28/32	30/34/38
airvent DGL 80	80 33-47		39-53

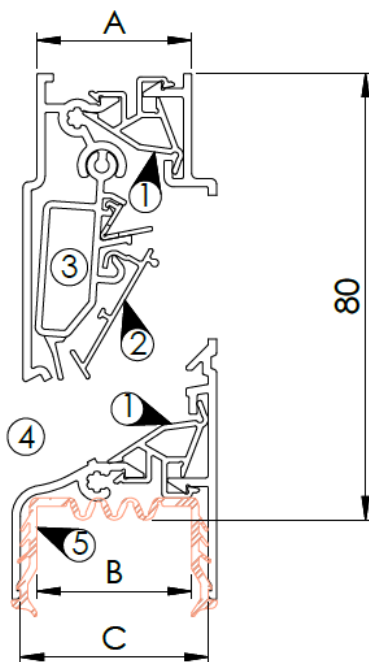
Window vent Airvent DG 80 EX - cross-section view:



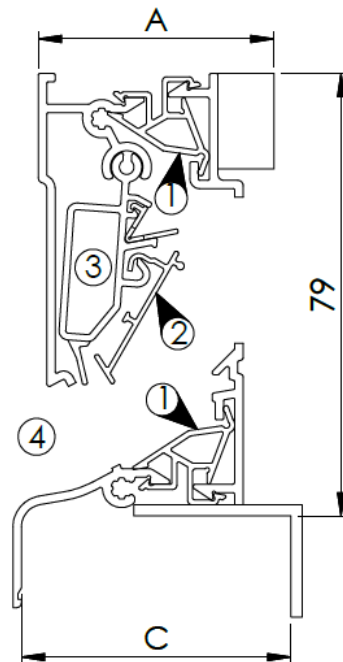
Window vent Airvent DGL 80 EX - cross-section view:



Window vent Airvent DG 80 - cross-section view:



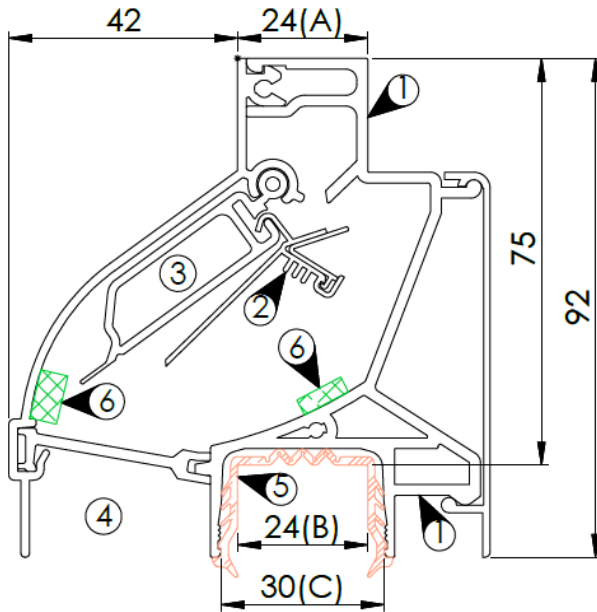
Window vent Airvent DGL 80 - cross-section view:



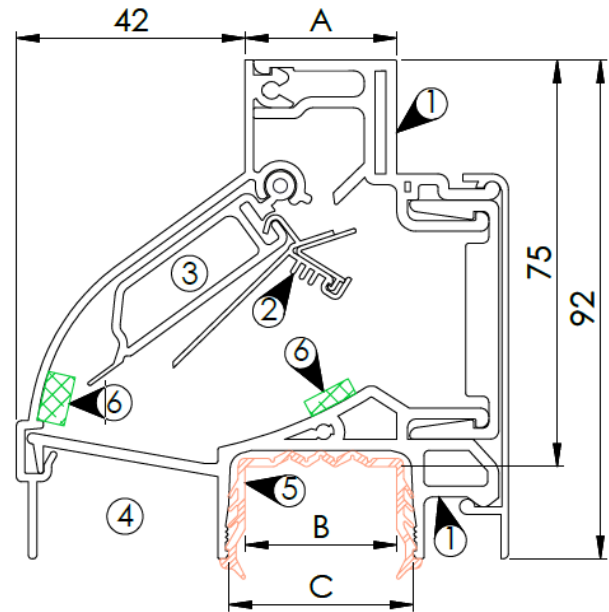
1 Thermal break 2 Self-regulating flap 3 Adjustable air inlet flap 4 Air inlet 5 Glazing rubber

Model	Dimensions, [mm]		
	A	B	C
airvent DG 75 12	24	24	30
airvent DG 75 16 / 21 EX	24 / 28 / 32	24 / 28 / 32	30 / 34 / 38
airvent DG 75 18	28	28	34
airvent DG 75 24	32	32	38

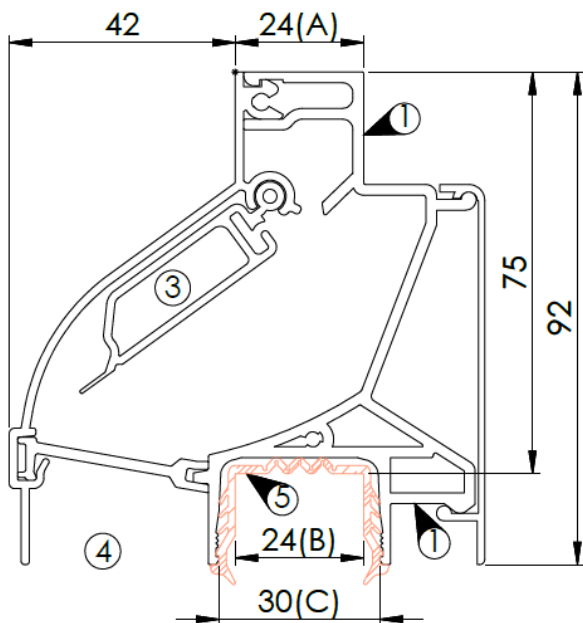
Window vent Airvent DG 75 16 / 21 EX,  
glass thickness 24 mm - cross-section view:



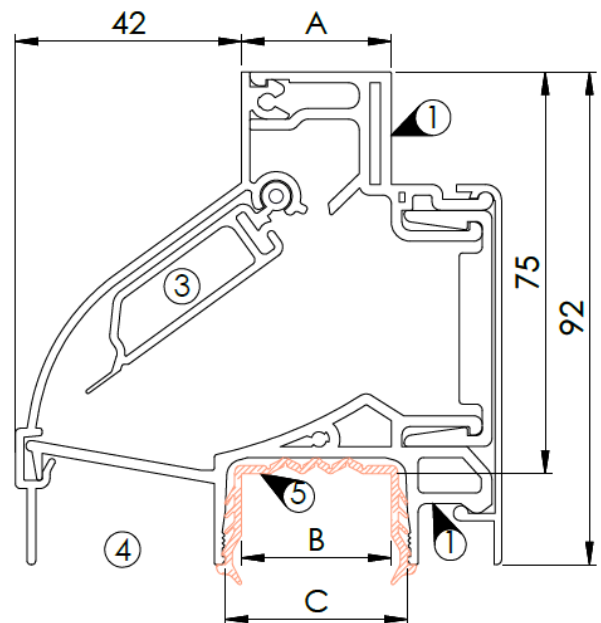
Window vent Airvent DG 75 16 / 21 EX,  
glass thickness 28 / 32 mm - cross-section view:



Window vent Airvent DG 75 12 - cross-section view:



Window vent Airvent DG 75 18 / 24 - cross-section view:



- 1 Thermal break
- 2 Self-regulating flap
- 3 Adjustable air inlet flap
- 4 Air inlet
- 5 Glazing rubber
- 6 Silencing foam (Airvent DG 75 21 EX only)

4. Notes

V1 25.08.2021 UK