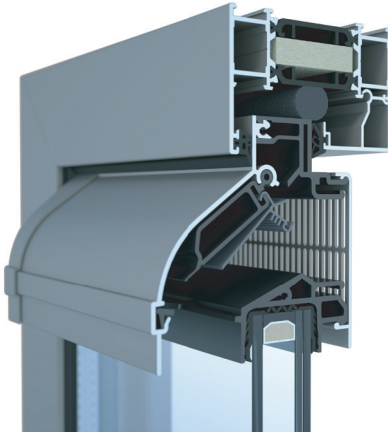


airvent
DG75 / DG75 EX
GLAZED IN VENT



Airvent DG75 (EX) is a thermally broken glazed in vent with sleek lines and different airflow options. When you need a glazed in vent the DG75 can cope with most situations, with options for very high airflow and excellent weatherability. Ideal for glazing thickness up to **32mm**.

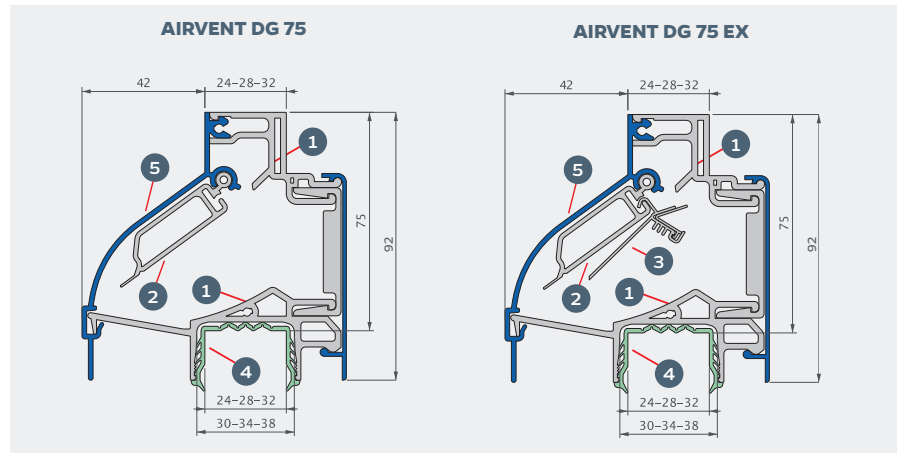
FEATURES:

- ✓ 5 airflow options available by offering differing grille perforations.
- ✓ Inner insect grille removable for cleaning
- ✓ High airflow options available: Up to 24,432 mm² EA per m;
- ✓ Thermally broken;
- ✓ Self regulating airflow;
- ✓ Insect grille
- ✓ Rod control option;
- ✓ Manufactured from extruded aluminium;
- ✓ 10 Year Guarantee.

DETAILS:

- 1 Thermal break
- 2 Internal operation, 5 position lever control
- 3 Patented self-regulating valve to ensure a uniform air supply
- 4 Customised glazing gasket
- 5 Rain protection
- 6 Available in different glass thicknesses

CROSS SECTION:



AIRVENT DG75 (EX)	75/12	75/18	75/24	75/16 EX	75/21 EX
Equivalent Area ⁽¹⁾	12089 mm ² /m	18451 mm ² /m	24432 mm ² /m	16415 mm ² /m	21760 mm ² /m
Air flow Q at 1 Pa	9.5 l/s/m	14.5 l/s/m	19.2 l/s/m	12.9 l/s/m	17.1 l/s/m
Air flow q1 at 2 Pa	13.89 l/s/m	21.11 l/s/m	29.17 l/s/m	19.44 l/s/m	26.67 l/s/m
Air flow q1 at 10 Pa	31.94 l/s/m	48.05 l/s/m	66.11 l/s/m	16.39 l/s/m	27.22 l/s/m
Control options	Lever or Rod (up to 2m)				
Self-regulation	No			Yes	
U -value	2.68 W/m ² K				
Acoustic insulation Dn, e, w (C, Ctr)					
— In open condition	26 (0,-1) dB				
— In closed condition	36 (-1,-3) dB				
Water Tightness					
— in closed position	750 Pa				
Trickle Ventilation (airflow in the closed position at 50pa)	<15%				
Surface area	0.075 m ² /m				
Glass reduction	75 mm				
Installation height	92 mm				
Suitable for glass thicknesses	24 - 28 - 32 mm (with dry glazing gasket) / 36 mm (with silicone seal)				
Maximum dimensions under warranty	2500 mm				
End cap dimension	85 mm				

(1) Value for non self regulating version, according to EN 13141-1

