



# UNRIVALLED PERFORMANCE

*in Heat Recovery Ventilation*



## Installation, maintenance & user manual

Applicable to the following aircycle 4.1 models:

PRODUCT CODE	DESCRIPTION
AS 90-0401-WDS-01	aircycle 4.1 c/w Integral Humidistat & Summer Bypass - Wall Mount
AS 90-0401-WDS-01V	aircycle 4.1 c/w Integral Humidistat & Summer Bypass - Wall Mount Inverted
AS 90-0401-FDS-01	aircycle 4.1 c/w Integral Humidistat & Summer Bypass - Floor Mount
AS 90-0401-FDS-01V	aircycle 4.1 c/w Integral Humidistat & Summer Bypass - Floor Mount Inverted

[Type here]

# CONTENTS

PLEASE KEEP THESE INSTRUCTIONS WITH THE PRODUCT.  
Please read this manual fully prior to installing the MVHR unit.

1.0	Introduction .....	2
2.0	Safety .....	3
3.0	Specifications/ Dimensions (mm) .....	5
4.0	Installation .....	10
5.0	Electrical Connections/ Wiring .....	19
6.0	Controls and Settings.....	21
7.0	Maintenance.....	38
8.0	User Operation.....	44
9.0	Trouble Shooting.....	46
10.0	Customer Support.....	47

## IMPORTANT

This appliance is not intended for use by persons (including children) with reduced physical sensory or mental capabilities, or lack of experience and knowledge, unless they have been given supervision or instruction concerning use of the appliance by a person responsible for their safety.

### 1.0 Introduction

The Brookvent aircycle 4.1 is a highly efficient Mechanical Heat Recovery Ventilation (HRV/MHRV) system, specifically designed for medium to large dwellings and apartments.

The system should be run continuously 24 hours a day and should only be disconnected by a competent person during service or maintenance.

Heat Recovery ventilation works best in new homes, which are extremely airtight and have high efficiency ratings. These dwellings require a high level of fresh air to ensure a healthy living environment.

The system works by drawing stale air from 'wet rooms' such as Bathrooms, WC's and Kitchens, recovering up to 94% of the heat from this air using a highly efficient heat exchanger, before expelling waste air from the home. Simultaneously, fresh air is drawn into the home, filtered, and warmed by the recovered heat and is supplied into the 'habitable rooms' such as bedrooms, dining rooms and living rooms.

### 1.1 Model Variations

This installation manual refers to the Brookvent aircycle 4.1 and pertains to the following models:

PRODUCT CODE	DESCRIPTION
AS 90-0401-WINS-01	aircycle 4.1 c/w Integral Humidistat - Wall Mount
AS 90-0401-FINS-01	aircycle 4.1 c/w Integral Humidistat - Floor Mount
AS 90-0401-WDS-01	aircycle 4.1 c/w Integral Humidistat - Wall Mount
AS 90-0401-FDS-01	aircycle 4.1 c/w Integral Humidistat - Floor Mount

## 1.2 Product Guarantee

This product is guaranteed against defects for a period of 5 years from date of purchase with the first year covering parts and labour and the remaining 4 years covering parts only.

In the instance of a defect, Brookvent may repair the product, replace the product free of charge or refund the cost of the product at Brookvent's own discretion. In terms of installation, operation and maintenance please follow all instructions provided. If this product has been misused, not properly installed, not properly maintained, or handled carelessly it may lead to this guarantee being declared void.

Brookvent does not accept liability for damage caused by non-observance of the installation instructions. Service activities must be carried out by Brookvent or by competent installers using original Brookvent parts. This guarantee does not affect your statutory right as a consumer.

Brookvent operate a policy of continuous innovation and improvement and thus reserve the right to alter product specifications and appearances without notice.

## 2.0 Safety

The following information must be read carefully to ensure safe installation and operation of the Brookvent HRV system.

### 2.1 General Safety

- Do not use this appliance for functions other than those described in this booklet.
- Never touch the appliance with wet hands.
- The unit is only suitable for 230 VAC/50Hz electric mains.
- Never modify the fan or electronics, all repairs must be conducted by Brookvent.
- Never connect the power if electronics cover is not fitted.
- Do not store flammable products in close proximity to the unit.
- If cleaning/ dusting the external surface, do so with a dry cloth only.
- Isolate power before removing any panels/covers (excluding filters).
- Never remove the heat recovery core while the fans are running. NB. It can take some time for the fans to come to a stop once power has been isolated.

## 2.2 Responsibility of the Installer

- Correct Installation, balancing and commissioning of the MHRV unit as per the requirements of this document.
- Record measured air flow volumes on each of the valves at high and low rate.
- Compliance to requirements and local additional rules.
- Explanation of the ventilation system to the user.
- Warning for the user, to check or replace the air filters on time.
- All the above, as set out in the latest edition of the Domestic Ventilation Compliance Guide and the SAP Appendix Q – Installation Guide and Checklist specific to the UK market.

## 2.3 Responsibility of the Occupant

- Replacement of the filters as per the recommended/ required interval.
- Cleaning the valves in the rooms regularly to prevent blockage.
- To ensure that the system is functioning properly on a regular basis
- To use manual boost switches (where provided) to prevent build-up of pollutants or mould growth.

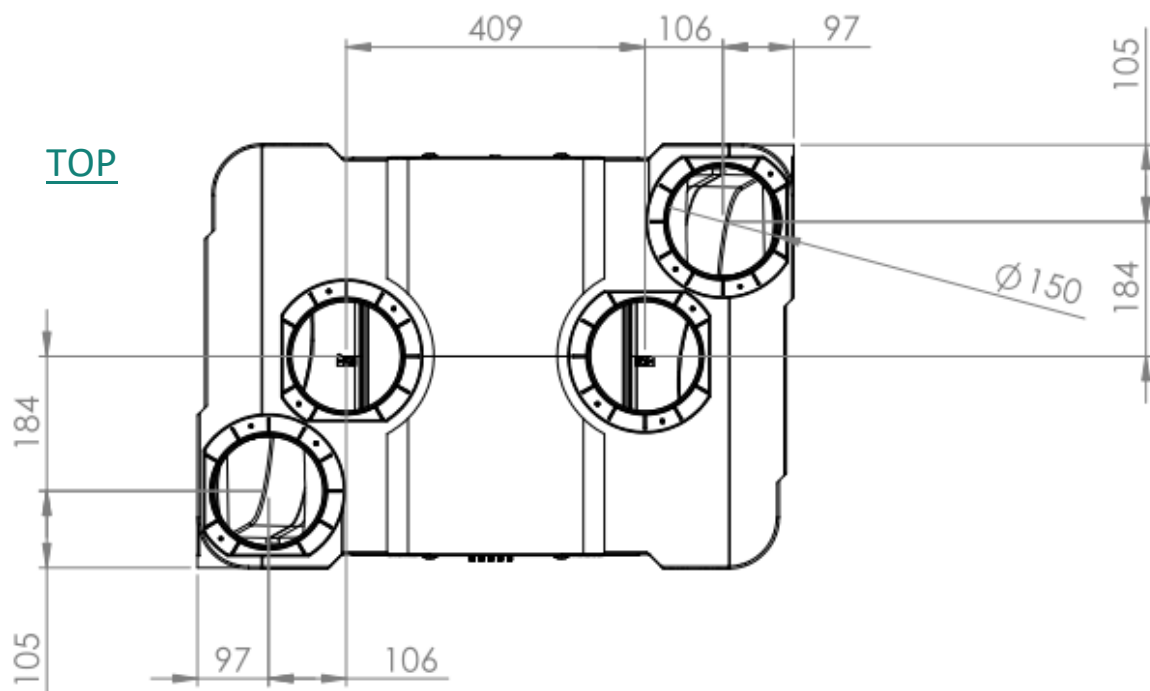
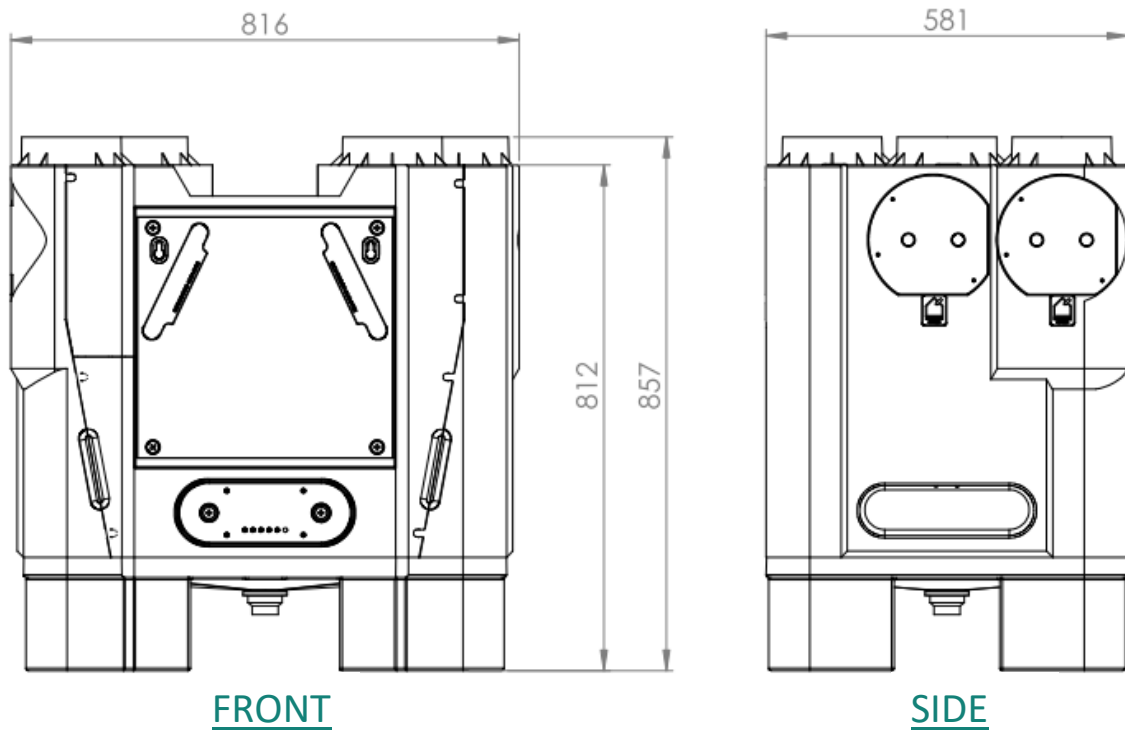
### **IMPORTANT**

Dirty or clogged filters may cause inadequate ventilation in the home which may lead to air quality issues. It is important that the filters are changed at least once per year or as required.

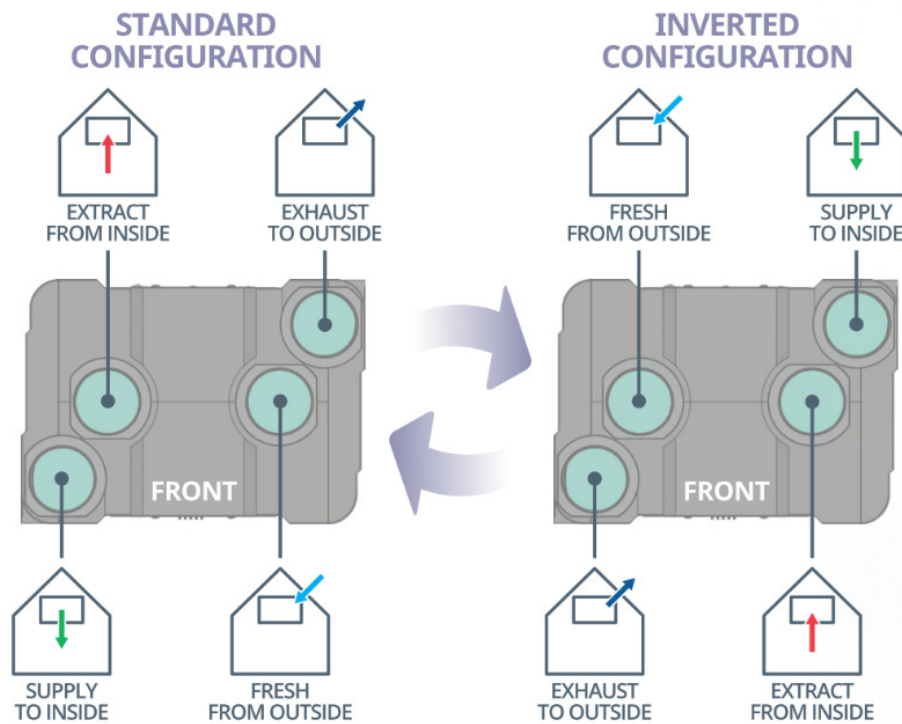
In new build properties it may be prudent to check/ change your filters after the first 3 months of occupancy depending on the amount of residual 'building dust' present within the property. Failure to do so will affect your warranty.

Filters can be purchased directly online from [brookvent.co.uk](http://brookvent.co.uk)

### 3.0 Specifications/ Dimensions (mm)



### 3.1 Duct Connections



## 3.2 Detailed Specification

Weight: 29kg

Materials:

- Main enclosure: High density, impact resistant EPP (Expanded Polypropylene)
- PCB & control panel enclosure: ABS FR
- Drainage tray: PP
- Filters: Polyester media (G3)
- Filter cover: Rubber
- Mounting Bracket: Zinc Plated Steel
- Fan Scrolls: ABS

Electrical:

- 230v EC Low energy, backward curved centrifugal fans
- PCB c/w digital controls
- Supplied complete with 4 core flying lead: (Live: Brown), (Neutral: Black), (Earth: Yellow & Green), (230v Switched Live (Boost): Grey)
- Plug and play components for easy maintenance

Control Features	Potentiometer Model	Digital Model
Independent fan speed control, 100% variable (Trickle & Boost)	•	• +/- 1%
230v boost input (light switch, PIR, etc.)	•	•
Boost over-run timer (0-15 mins)	•	•
Integral humidity sensor (Boost activation) - Variable RH%, Factory set: 70%	•	• +/- 1%
Frost protection, factory set at 5°C	•	•
Tempering Summer Bypass - Automatic	•	•
100% variable (3rd Purge Speed)		•
Fault alert/ diagnostics		•
Filter check reminder		•
Hours run meter		•
Status indication (Summer bypass, frost protection, etc.)		•
Performance indication (W/l/s, Temp)		•
PIN Protect engineering settings		•
Commissioning settings upload		•
Night mode		•

Installation: Wall or Floor Mount

Standards:

Fully complies with Building Regulations for UK & Ireland  
SAP Appendix Q Listed | Energy Savings Trust Best Practice | CE

Guarantee Period: 5 Years



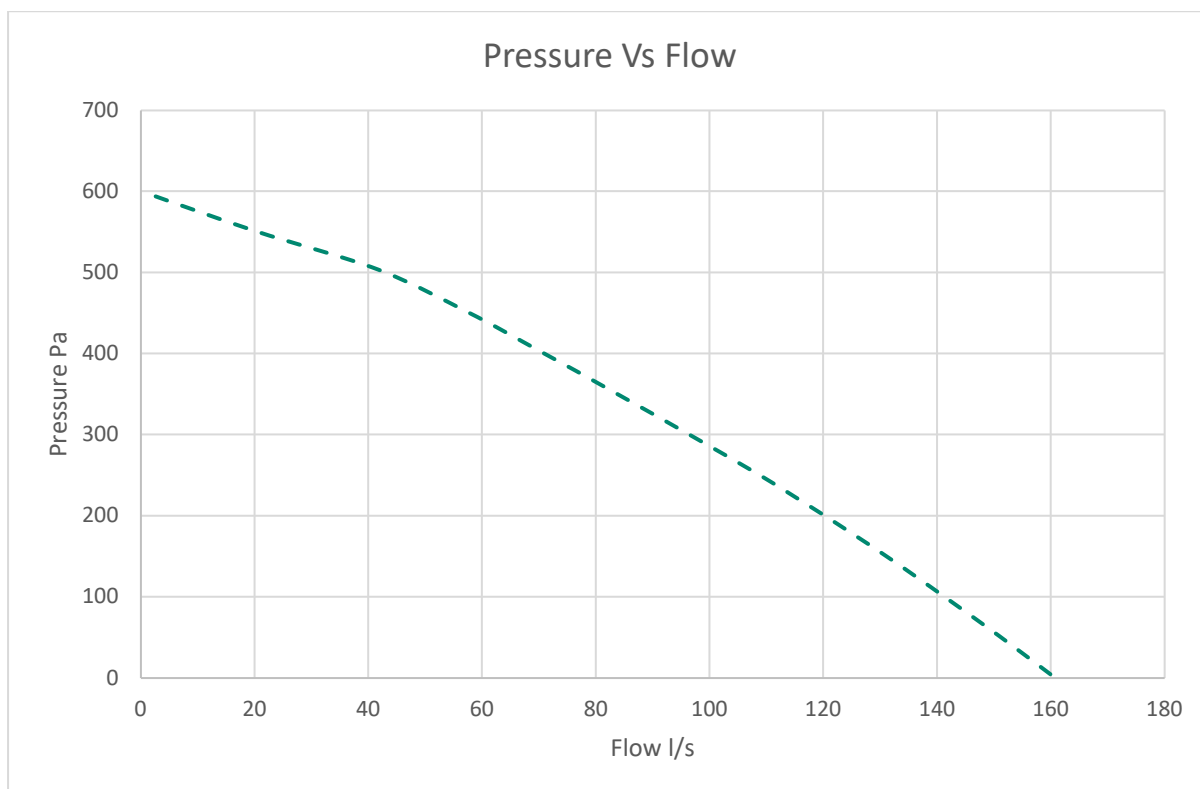
### 3.3 SAP Appendix Q Results

Exhaust Terminal Configuration	Airflow Rate (l/s) 100% Variable	Specific Fan Power (W/l/s)	Heat Exchange Efficiency (%)	Energy Savings Trust Best Practice Compliance
Kitchen + 1 Wet Room	15	0.48	94	YES
Kitchen + 2 Wet Room	21	0.42	93	YES
Kitchen + 3 Wet Room	27	0.41	92	YES
Kitchen + 4 Wet Room	33	0.45	91	YES
Kitchen + 5 Wet Room	39	0.49	90	YES
Kitchen + 6 Wet Room	45	0.56	90	YES
Kitchen + 7 Wet Room	51	0.65	89	YES

SAP 2005 (See SAP - PCDB for further details) <http://www.ncm-pcdb.org.uk/sap/>

Exhaust Terminal Configuration	Airflow Rate (l/s) 100% Variable	Specific Fan Power (W/l/s)	Heat Exchange Efficiency (%)	Energy Savings Trust Best Practice Compliance
Kitchen + 1 Wet Room	21	0.45	93	YES
Kitchen + 2 Wet Room	29	0.45	92	YES
Kitchen + 3 Wet Room	37	0.49	91	YES
Kitchen + 4 Wet Room	45	0.58	90	YES
Kitchen + 5 Wet Room	53	0.67	88	YES
Kitchen + 6 Wet Room	61	0.83	87	YES
Kitchen + 7 Wet Room	69	0.99	86	YES

SAP 2012 (See SAP - PCDB for further details) <http://www.ncm-pcdb.org.uk/sap/>



### 3.4 Airflow: Pressure/ Performance Curve

### 3.5 Acoustic Performance

Aircycle 4.1 Acoustic performance												
Airflow %	Measurement	Airflow l/s	Full octave Lw dB								Overall Sound power level (A Weighted)	Db A @3m
			63	125	250	500	1k	2k	4k	8k		
30	Inlet	47	50.0	40.0	36.7	40.8	34.6	20.7	13.5	16.9	40.1	25.6
	Outlet		50.2	29.9	29.8	34.3	27.3	15.3	13.7	17.0	33.9	19.4
	Breakout		48.4	30.2	31.1	32.0	23.0	11.9	12.7	17.5	31.7	14.2
50	Inlet	61	54.5	45.7	48.6	47.1	47.3	36.1	23.0	18.3	49.8	35.3
	Outlet		50.1	31.2	41.5	40.6	34.3	22.7	13.6	16.9	40.4	25.8
	Breakout		48.1	33.0	42.4	38.5	33.0	23.8	15.0	17.0	39.2	21.7
70	Inlet	118	56.3	50.1	50.5	51.4	50.7	46.6	33.9	25.7	54.2	39.7
	Outlet		51.4	34.0	43.8	45.2	37.9	32.2	16.8	17.4	44.5	30.0
	Breakout		48.6	37.5	46.0	43.2	37.9	34.3	21.0	16.5	44.1	26.5
80	Inlet	142	62.2	55.7	52.8	55.8	54.7	52.0	41.7	33.0	58.7	44.2
	Outlet		51.8	38.4	45.8	50.2	42.3	38.2	23.6	19.7	49.2	34.7
	Breakout		48.6	46.5	47.3	50.8	43.0	39.9	28.8	17.8	50.1	32.5
100	Inlet	167	63.6	58.7	54.5	58.9	57.1	54.2	45.9	36.8	61.3	46.8
	Outlet		51.5	49.8	48.0	40.4	50.0	46.7	47.5	48.4	54.8	40.2
	Breakout		48.9	48.7	48.3	53.1	45.2	41.7	32.8	19.5	52.2	34.7

Case Radiated sound at 3m is calculated on Hemi-spherical propagation.

Inlet and outlet sound at 3m is calculated based on uniform line source.

Airflow values shown are plotted from fan curves.

### 3.6 Acoustic Performance (Incl. Indicative pressure)

Aircycle 4.1 Acoustic performance												
Airflow %	Measurement	Pressure Pa	Full octave Lw dB								Overall Sound power level (A)	Db A @3m
			63	125	250	500	1k	2k	4k	8k		
30	Inlet	40	50.0	40.0	37.4	38.4	31.1	18.0	13.6	16.9	37.9	23.4
	Outlet		51.2	31.2	38.0	32.1	22.7	16.3	15.1	17.1	33.8	19.2
	Breakout		48.3	32.7	35.3	33.5	25.7	17.0	13.0	16.3	33.6	16.1
50	Inlet	100	53.4	47.8	55.1	46.4	40.4	30.4	21.5	18.3	48.9	34.3
	Outlet		51.3	41.7	48.8	42.0	37.1	29.9	29.4	24.7	44.1	29.6
	Breakout		49.4	37.1	49.1	41.8	34.4	29.3	18.9	16.6	43.5	25.9
70	Inlet	200	53.3	51.9	56.2	51.7	47.3	39.7	32.5	30.5	53.0	38.5
	Outlet		51.5	46.6	55.4	52.1	45.7	41.3	39.3	38.1	52.9	38.4
	Breakout		49.2	44.1	50.2	47.3	41.0	37.3	29.8	20.7	47.9	30.4
80	Inlet	200	55.6	54.2	56.4	54.7	50.8	46.0	37.5	33.2	55.9	41.4
	Outlet		52.0	49.1	58.7	52.8	46.1	43.9	41.4	38.6	54.6	40.0
	Breakout		48.6	49.1	55.2	52.4	44.9	40.8	33.2	23.1	52.5	35.0
100	Inlet	300	60.5	57.6	59.3	59.1	53.8	48.8	42.0	38.4	59.5	45.0
	Outlet		52.7	56.6	57.2	52.9	67.2	59.2	64.3	61.1	70.4	55.8
	Breakout		49.1	49.3	55.3	55.2	47.2	43.7	37.5	29.5	54.8	37.2

Case Radiated sound at 3m is calculated on Hemi-spherical propagation.

Inlet and outlet sound at 3m is calculated based on uniform line source.

Airflow values shown are plotted from fan curves.

## 4.0 Installation

It is important that the full installation of this system is carried out by competent persons, including all electrical works and connections being completed by a qualified electrician. The MVHR unit is designed to be installed indoors, within an attic, storage cupboard, or void space, away from exposure to frost, water, or intense heat. The system should be installed in a ventilated space.

A clear access space is required around the unit; this will ensure ease of installation relating to ductwork, wiring, and the connection of the condensate drain. It is important that filters to the system can also easily be accessed for replacement.

### 4.1 Mounting

The aircycle 4.1 is designed to be either wall or floor mounted. Please ensure that this method of fixing is suitable for the mounting surface and that it can safely bear the load.

### 4.1.1 Wall Mount

The unit should be attached to the wall as shown using the wall bracket provided, please ensure the mounting surface can safely bear the load of the unit using suitable screw fixings.

One bracket will be secured to the back of the unit as shown in **Fig. 1**, the second bracket should be secured to the mounting surface as shown in **Fig. 2**. Please ensure the brackets are level. The unit can then be set onto the mounting surface with the lip of each bracket intersecting as shown in **Fig. 3**.

Ensure the system is level when fully mounted.

Fig. 1

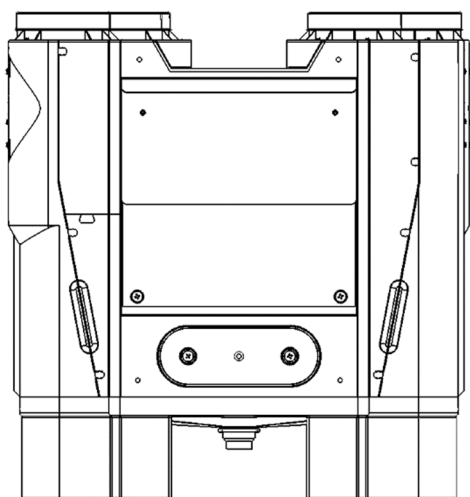


Fig. 2

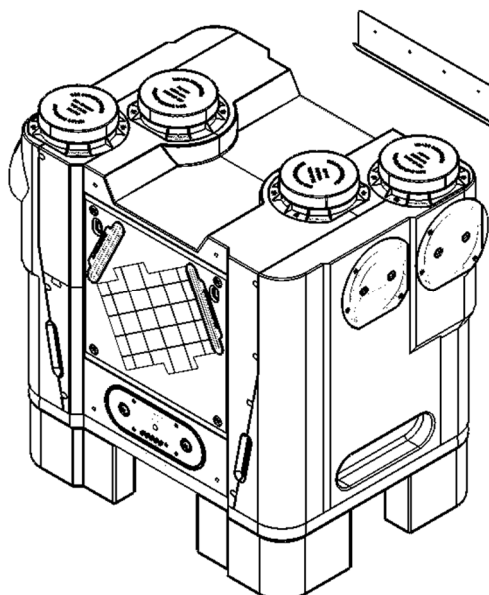
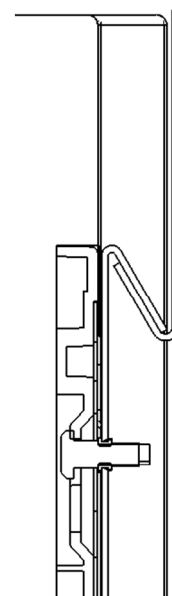
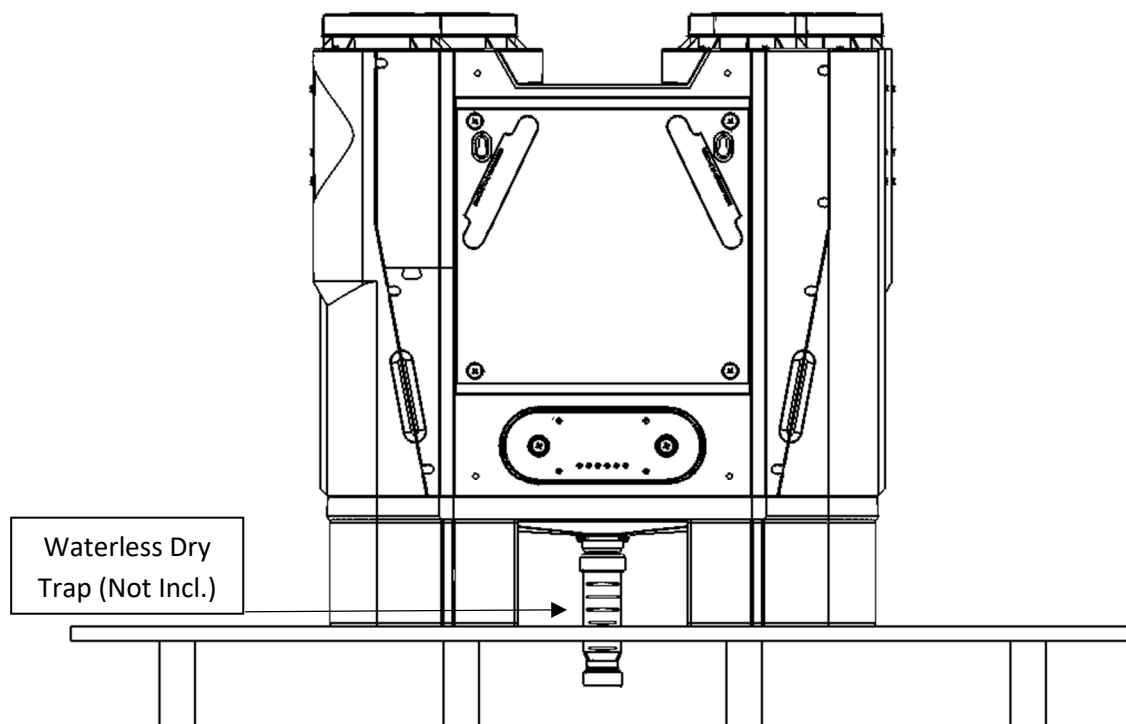


Fig. 3



## 4.1.2 Floor Mount

The unit should be mounted on the Floor, on a stable, level surface. Ensure the condensate connection at the bottom of the unit can be fitted to allow a minimum 5 degree fall to the internal drainage point.



## 4.2 Ductwork and Connections

To comply with SAP Appendix Q, and to facilitate the air flow performance, all ducting used should be rigid. If flexible ducting is required, it should be kept to a minimum (maximum length: 300mm) and kept taut as per the Domestic Compliance Guide (Part F: England and Wales 2010)

The spigots on the Brookvent aircycle 4.1 systems are suitable for connection to 150mm diameter round pipe.

The label on top of the unit clearly identifies which spigot should be connected to which ducting route within the dwelling. This is also shown clearly within this manual.

The aircycle 4.1 MVHR system can be inverted on-site, changing the external duct connections from the right to the left of the system as required for specific property types thus minimising ducting runs, system pressure and installation time. Please ensure to follow the inversion steps provided in this manual carefully (see page. 16).

For optimum efficiency and performance, it is recommended that 150mm diameter round pipe is used (where possible) to connect to the spigots and continue throughout the dwelling, this will assist in keeping pressure losses to a minimum. A minimum straight vertical run of 750mm should also be used directly off each spigot (where possible) based on CISBE guidance.

Where it is not possible to continue throughout the dwelling in rigid 150mm diameter round pipe due to the void spaces available, a conversion to rigid 220mm x 90mm flat rectangular ducting is recommended. Reducing further to 125mm diameter round pipe and/or 204mm x 60 flat rectangular ducting is possible when airflow rates have reduced sufficiently.

Connection to semi-rigid ducting via an appropriate air manifold system is also a suitable option.

It is recommended that the number of bends in the ducting system is kept to a minimum.

Each of the external roof terminals / wall terminals must be the equivalent to the open area of 150mm diameter ducting. Brookvent recommend the use of terminals with low pressure resistance.

To facilitate air circulation within the dwelling there must be a minimum of 10mm undercut on each of the doors (to the finished floor) within the dwelling (or grills placed at low level on the doors).

Extract air valves should be placed in all wet rooms (kitchen, utility, en-suite, etc.) and should be sited, where possible, close to the main source of humidity/ pollutant.

Fresh supply air valves should be placed in all habitable rooms (bedroom, living room, dining room, etc.).

Air valves should be locked upon commissioning so that they are tamper proof.

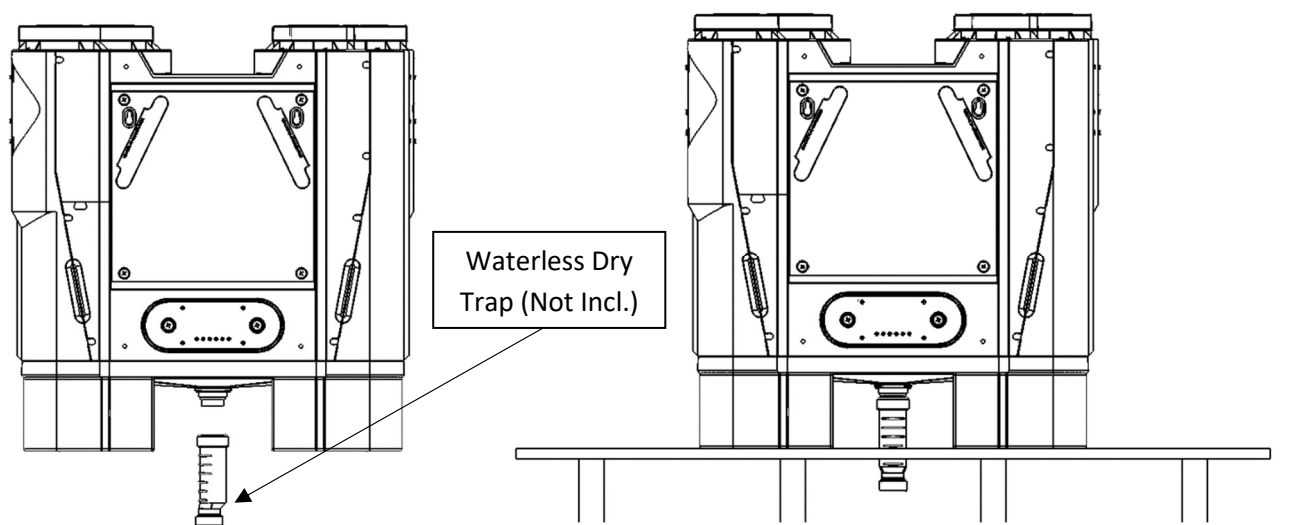
Duct designs/ layouts should always be adhered to if provided.

The Domestic Compliance Guide: Eng. and Wales 2010 or relevant equivalent dependent upon local guidelines, should be adhered to in terms of installation practices.

### 4.3 Connection of Condensate Drain

MVHR systems generate considerable amounts of moisture due to their high Heat Recovery Efficiency; this moisture must be drained from the system to a suitable discharge location.

The aircycle 4.1 is supplied complete with a centralised drainage connection on the bottom of the unit.



Brookvent recommend the use of a 32mm “Waterless Dry Trap” on HRV systems (as shown above) to prevent the back flow of air into the HRV unit from the waste discharge system.

It is imperative that there is a gravitational fall from the unit to the discharge point ensuring that the water drains from the unit. A minimum fall of **5 Degrees** should be ensured throughout. Drainage piping/ connections should be insulated if located in cold roof spaces.

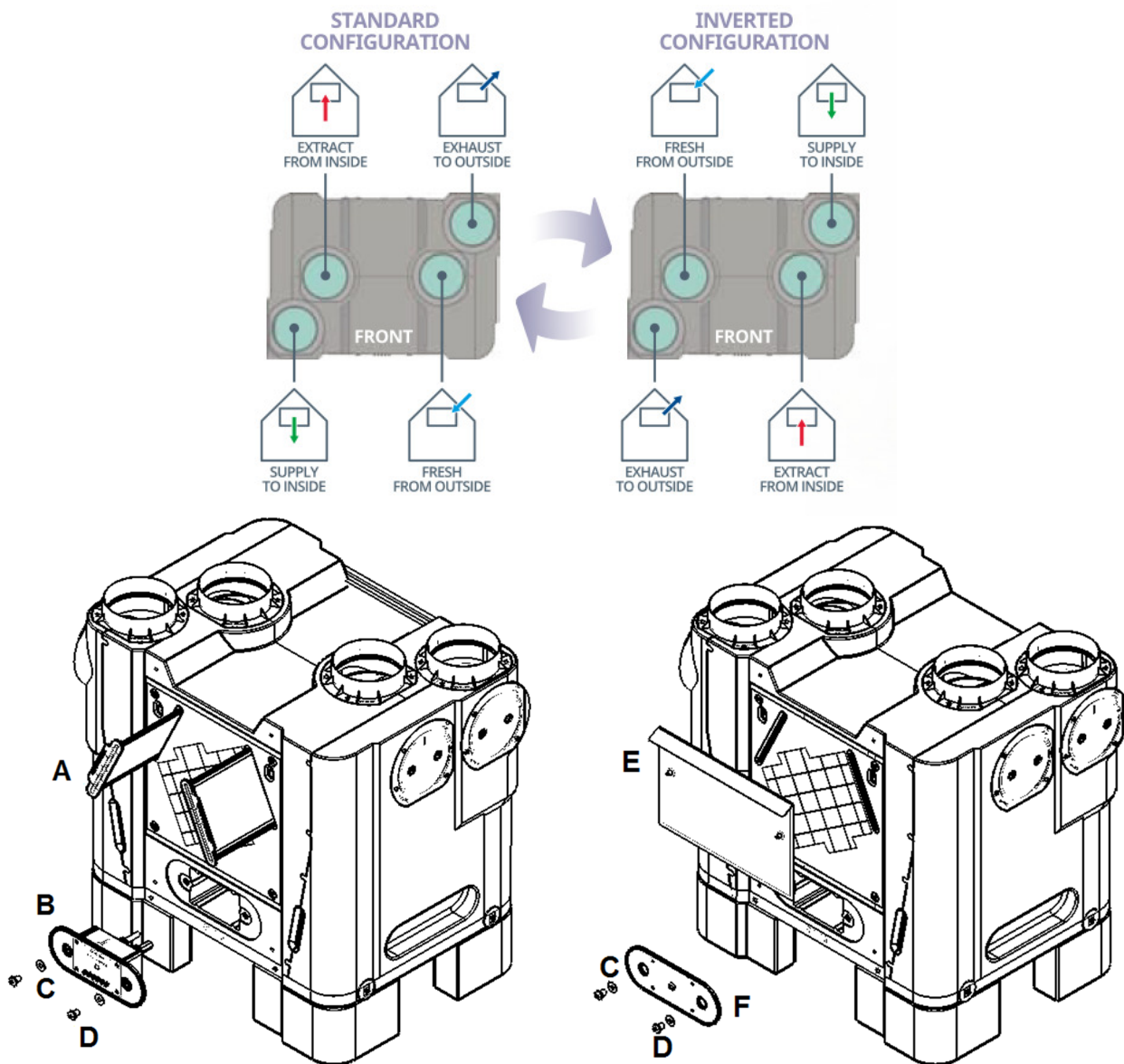
Drainage piping/ connections should be insulated if located in cold roof spaces.

DO NOT connect other condensate pipes from the system or other systems BEFORE the “Waterless Dry Trap.



## 4.4 Inverting the unit

The aircycle 4.1 can be inverted, changing the external duct connections from the right to the left of the system as required for specific property types, where required.



Standard Front

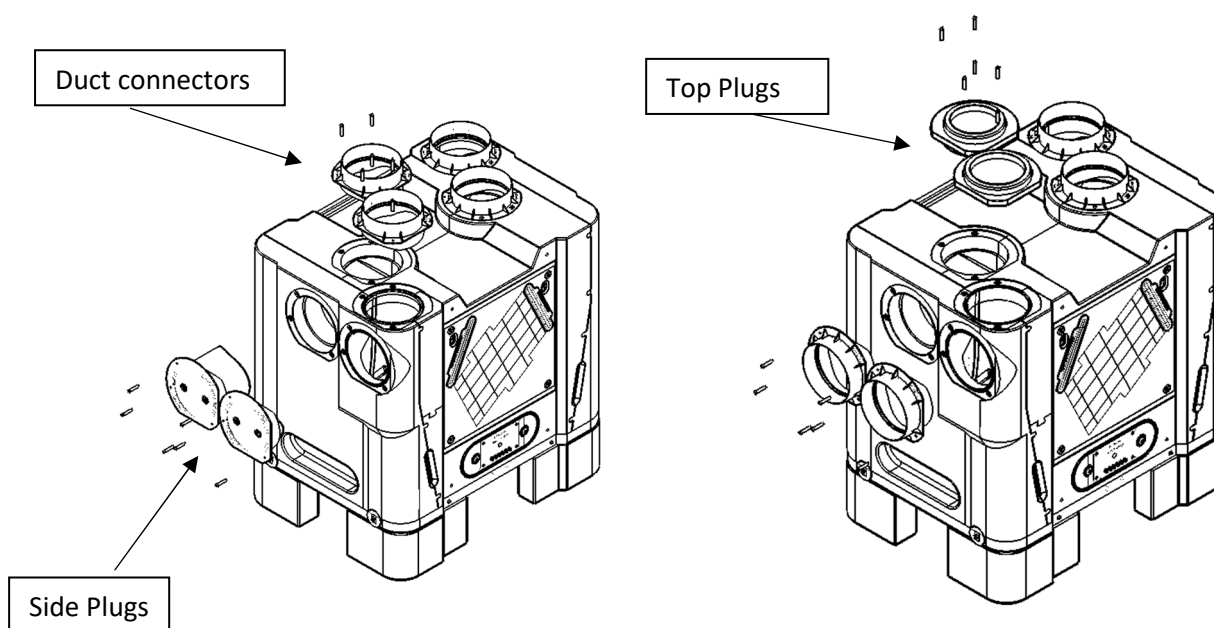
- A: Filter Cassette
- B: PCB Module
- C: M10mm x 25mm Washer
- D: M10mm x 16mm Screw
- E: Wall Mount Plate
- F: Blank Cable Panel

Inverted Front

- Step 1.** Isolate the unit from the mains and ensure all supply circuits are disconnected.
- Step 2.** Disconnect the mains from the fused spur.
- Step 2.** Unscrew the two large screws in the front of the control panel and pull out the PCB module (B).
- Step 3.** Unplug all the leads, the connectors are all marked to match up with their corresponding internal connections.
- Step 4.** Pull the mains cable through the unit.
- Step 5.** Remove the filters (A).
- Step 6.** At the face of the unit marked INVERTED; unscrew and remove the blank control panel (F).
- Step 6.** At the face of the unit marked INVERTED; unscrew and remove the wall mount bracket (E).
- Step 7.** Pull the fan cables and sensor cables through the unit and connect the leads to their colour coded lead on the PCB module (B).
- Step 8.** Push the PCB module (B) into the case and secure using the M10 screws (D) and washers (C).
- Step 9.** Place the filters (A) back into the unit from the face of the unit marked INVERTED.
- Step 10.** On the face of the unit marked STANDARD; fit the wall mounting bracket (E), even if it is a floor mounted unit. Take care to not over tighten the bracket.
- Step 11.** On the face of the unit marked STANDARD; pull the mains cable through the unit and feed it through the blank control panel (F).
- Step 12.** Secure the blank control panel using the M10 screws (D) and washers (C).

Note to invert the unit on site the RJ45 connect will need to be cut off the cable for the display. This will need to be replaced if connecting via a RJ45 socket after the inversion process has been completed. (See section 5.1)

## 4.5 Changing from top spigot to side spigot



- Step 1.** Isolate the unit from the mains and ensure all supply circuits are disconnected.
- Step 2.** Unscrew any duct connectors from the top that are required to be ducted from the side.
- Step 3.** Unscrew and remove the side plugs where they are required to be ducted from the side. The side plugs can be discarded but the screws are still required.
- Step 4.** Screw the duct connectors that were removed from the top to the side of the unit where the side plugs used to be. Ensure that the screw holes line up to the inserts.
- Step 5.** With the duct connectors now fitted to the side of the unit the top plugs need to be fitted to the top of the unit. There will be 4 of these in each box.
- Step 6.** On each side of the top plug there is a ring, the ring on each side is a different diameter to the other. The larger diameter fits in the centre holes and the smaller diameter fits in the corner holes on the top of the unit.
- Step 6.** With the plug in the correct orientation, line up the screw holes with the screw inserts and push the plug into the hole (it should be a snug fit).
- Step 7.** Screw the top plug in place.
- Step 8.** The unit can be connected from the side with 1 to all 4 connections

## 5.0 Electrical Connections/ Wiring

### IMPORTANT

All the electrical connections must be carried out by a qualified electrician. Installations and wiring must conform to current IEE regulations (UK), local or appropriate regulations (applying to other countries).

#### Electrical Details:



Voltage: 230 V AC ~

Fuse rating: 3 A

Warning: This unit must be earthed.

Please Note: The core cable from the mains power supply must be connected to a fixed wiring installation, via a **3-amp** fused isolator, as to comply with current IEE wiring regulations.

A switch or circuit breaker must be used in the power supply circuit. It should be in close proximity to the HRV unit and should be clearly marked as the disconnecting device for the HRV Unit.

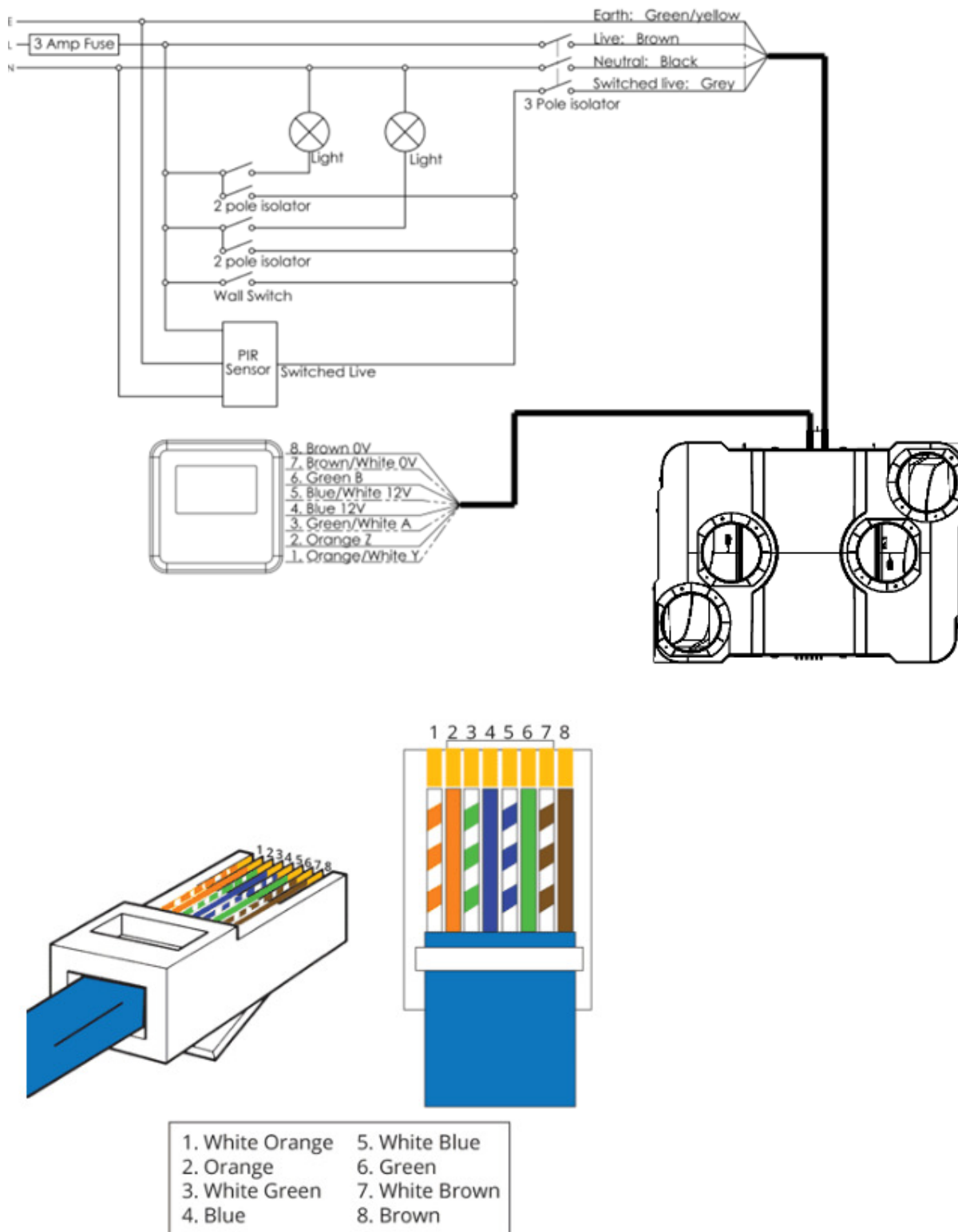
#### Connecting to mains:

The aircycle 4.1 unit comes pre-wired with 2m length of 4-core cable, which should be connected into a fan-isolation switch. In turn a 3-core mains cable should be used to connect to a **3A fused spur**, which should be located close to the unit. The unit should never be connected to a plug outlet.







Green/Yellow	= Earth
Brown	= Live
Black	= Neutral
Grey	= Switch

The grey switch wire is used to boost the system. When a live 230v signal is applied, the Auto Boost function will be triggered.

## 5.1 Wiring Schematic



## 5.3 Colour code for internal wiring connectors

Connector	Loom	Colour
F1-Control (Extract Fan)	B	 Green
F1-Power (Extract Fan)	D	 Red
F2-Control (Supply Fan)	A	 Blue
F2-Power (Supply Fan)	C	 Black
HUMIDISTAT	B	 Yellow
TEMPERATURE	B	 Orange

## 6.0 Controls and Settings

### 6.1 Fan Speed Control

The fan speeds of the unit are controlled by the digital display. This allows individual control of the trickle and boost rates for the supply and extract fans within the unit.

These separate speed options allow one speed to be set for normal day to day operation (i.e. Trickle) and an increased speed to be set (i.e. Purge) that operates when the grey switch wire is triggered by a 230v purge signal such as a Wall Switch or Passive Infrared Sensor, manually changing the mode on the display or automatically from internal sensors.

If the Purge for either fan is required to be set, it should always be set higher than the Trickle.

See section 6.8 Digital Controller full instructions.

## 6.2 Commissioning Fan Speeds

1. Set all 4 fan control speeds down fully to off (**Extract Trickle, Extract Boost, Supply Trickle, Supply Boost**).
2. Set the “Boost Over-run” to zero.
3. Turn the Boost switch on (or trigger the boost by other means provided, e.g. bathroom light switch relay if applicable) Boost mode on the home screen.
4. Set the **Extract Boost** percentage up until the minimum extract boost rate is achieved in all the wet rooms (extract valves) as per the BPEC process for commissioning.
5. Turn boost switch off (or other if applicable).
6. Increase the **Supply Trickle** percentage up until the whole dwelling ventilation rate has been achieved in all the habitable rooms (supply valves) as per the BPEC process for commissioning.  
**NB:** The trickle rate Should not be higher than the boost rate.
7. Increase the **Extract Trickle** percentage up until the total airflow balances the total supply trickle rate.  
**DO NOT ADJUST THE VALVES!**
8. Turn the Boost Switch on (or trigger the boost by other means provided, e.g. bathroom light switch relay if applicable) Boost mode on the home screen.
9. Increase the **Supply Boost** percentage up until the total airflow balances the total extract boost rate.  
**DO NOT ADJUST THE VALVES!**
10. Ensure that the whole system is commissioned correctly following the procedures laid out by BPEC and the Domestic Compliance Guide (England and Wales) – Part F – Means of Ventilation.

Commissioning is carried out to ensure that the required air flows are achieved throughout the property. The volume airflow at each point should be measured using a suitably calibrated Airflow Meter (anemometer), this should be fitted with an adapter/hood to ensure all air is captured and measured by the device.

For the required airflow rates refer to the design specification for the property and or refer to Building Regulations (Part F: Means of Ventilation, England, and Wales) or relevant equivalent dependent upon local guidelines.

If further guidance is required on the commissioning process, please contact Brookvent directly.

**Example Commissioning:**Property – Area: 80m<sup>2</sup>Airtightness: less than 5m<sup>3</sup>/hr @ 50PaSupply Rooms:Extract Rooms

Living 11l/s

Kitchen 13l/s

Dining 5l/s

Bathroom 8 l/s

Bedroom 8 l/s

En-suite 8 l/s

Whole dwelling ventilation rate = 24l/s *(the greater of Area x 0.3 or whole dwelling rate table in building regulations).*

Whole dwelling boost rate =29 l/s *(the greater of the summation of the extract rates or the whole dwelling rate).*

As per the instructions above, set all speeds to 0. Turn the boost mode on. Turn the Extract boost percentage up until the extract boost rates are achieved (kitchen 13l/s, bathroom 8l/s, en-suite 8 l/s).

Lock the valves in place.

Turn the boost mode off. Turn the supply trickle percentages up to achieve the rates for the supply rooms (living 11l/s, Dining 5l/s, Bedroom 8l/s).

Lock the valves in place.

Increase the Extract trickle level until the whole dwelling rate i.e., 24l/s is achieved through the extract valves. Do not adjust the valves, only adjust the control on the unit.

Turn the boost mode on. increase the Supply Boost level until the whole dwelling Boost rate i.e., 29l/s is achieved through the Supply valves. Do not adjust the valves, only adjust the control on the unit.

Turn the boost mode off.



## 6.3 Humidity Control

This Humidistat control is located in Engineering setting can be set between 0%-100% (Not active) relative Humidity, causing the unit to boost when it senses the set humidity level. Adjusting the humidity down will cause the unit to become more sensitive thus boosting the system more often.

**The recommended setting for humidity is 70% RH.** This can be adjusted down to account for dilution from other extract rooms. The amount of dilution will be dependent on the number of wet rooms and their usage.

**NB.** Upon start-up/ power-on the humidity sensor will be inactive for a period of 60mins due to calibration.

## 6.4 Boost Over-Run Timer

All Brookvent aircycle systems come complete with an automatic boost over-run timer. Several methods can be used to Boost the aircycle 4.1 systems (See section '5.0 Electrical Connections/ Wiring').

When the boost signal is applied by a switch or sensor, the boost function will be triggered. When the signal stops, the boost will over-run for the time set as the boost overrun (engineering settings). This function can be used to ensure the system has adequately cleared the pollutants that were present. This is also true for the internal humidistat feature in the aircycle 4.1.

If using a momentary Switch to put the units into a timed boost using the overrun; you Must press the momentary switch for at least 4 seconds, or the unit will enter purge mode.

## 6.5 Frost Protection

This is an automatic factory setting that causes the supply fan to turn off for 5 minutes every hour when it senses temperatures below the 5 °C the set level allowing the warm extract air from the home to pass through the core unaccompanied by the cold fresh intake air. This action succeeds in regularly raising the overall temperature within the Heat Recovery System preventing the potential formation of ice particles which could cause damage.

When the unit is in this mode the display will indicate this with a snowflake in the top right-hand corner.

**This feature is factory set, automatic, and requires no maintenance.**

## 6.6 Tempering Summer Bypass

Feature available on selected models only (AS 90-0103-WINS-01).

The Tempering Summer Bypass feature, unique to Brookvent aircycle systems, functions via thermostatically responsive solenoid which operates on a scale between 20 Degrees Celsius (No Summer Bypass) and 27 Degrees Celsius (Fully engaged); gradually increasing the amount of air directed around the Heat Recovery Core as the temperature of the supply air from outside rises thus comfortably regulating the indoor air temperature during warmer months.

**This feature is factory set, automatic, and requires no maintenance.**

## 6.7 Fan Fault Indication

This will be indicated by a triangle symbol in the top left-hand corner of the screen.

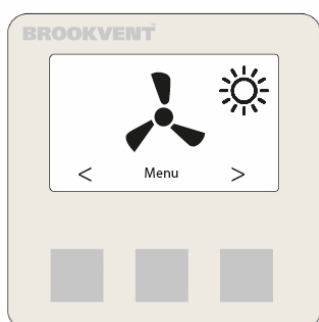
The display will indicate an issue with either fan.

Do not attempt to further diagnose the issue, all investigative and repair works should be completed by a competent person using original Brookvent parts.

## 6.8 Digital Controller

### 6.8.1 Home Screen

Screen 0



1. Shows the fan speed that the unit is currently running at. This can be changed by pressing the right and left buttons on the controller a denoted by the arrow symbols.
2. Menu. By pressing the centre button this will give access to the menu options.
3. Automatic operation modes. This will display if the unit is operating under summer bypass conditions or if the unit is operating under frost protection conditions.
4. Fan fault indication. Should this symbol be present then contact your supplier to arrange for an engineer to investigate. (note this may momentarily flash on screen at point of start-up. This is not a fault).

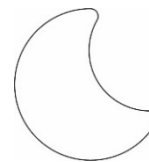
### Home screen notifications.

1. Trickle Mode.

2. boost

3. Purge Mode

4. Night mode



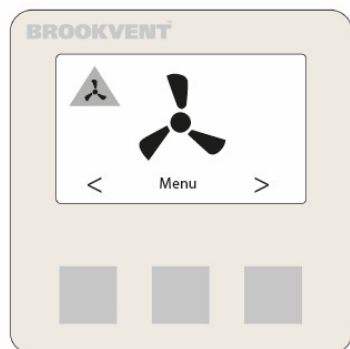
1. Fan with three blades indicates the unit is in trickle mode.

2. Fan with six blades indicates the unit is in Boost mode. Boost mode has been triggered manually by switching to this mode on the display.

3. Fan with eight blades indicates the unit is in purge mode. Purge mode has been triggered manually by switching to this mode on the display or automatically by an external switch or sensor.

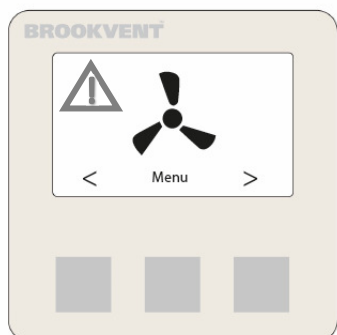
4. Crescent moon symbol indicates the unit is in night mode. Night mode has been triggered manually by switching to this mode on the display or automatically by the time setting.

### Fan failure



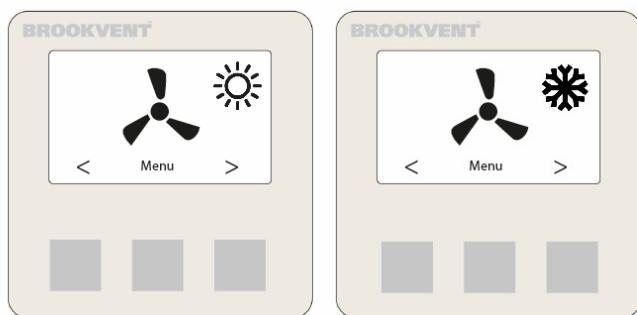
Should the triangle with the fan symbol appear in the left-hand corner of the screen; this indicates a fault in the system that an engineer will have to investigate.

### Filter reminder



Should the triangle with the exclamation symbol appear in the left-hand corner of the screen; this indicates that the filters need to be checked and/or replaced. See section 6.8.2.

### Summer Bypass/Frost protection



If the sun symbol appears in the right-hand corner of the screen this indicates that the summer bypass is in operation. If the symbol in the right-hand corner is a snowflake, then the unit is operating in its frost protection mode (no action is required).

### Humidistat



If the fan Boost symbol appears with the letter H; This indicates that the system is boosting due to the internal humidistat being activated.

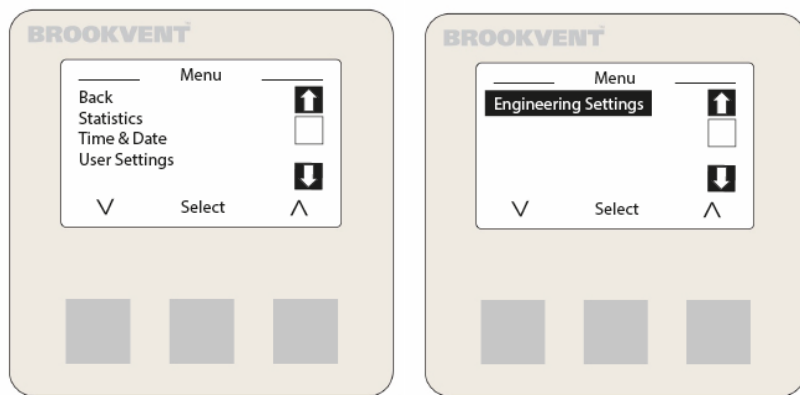
### Overheat



If the fan Boost or purge fan symbol appears with the letter T; This indicates that the system is running at an increased rate due to the internal temperature of the dwelling being too high.

System will remain in this mode until the temperature decreases or it is cancelled by changing mode at the display.

## 6.8.2 Home Screen



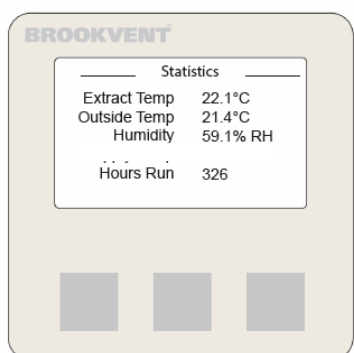
Screen 1a.

Screen 1a.

To navigate through the screens, use the up and down arrows activated by the left and right buttons.

To enter a menu item, press the middle button denoted as Select.

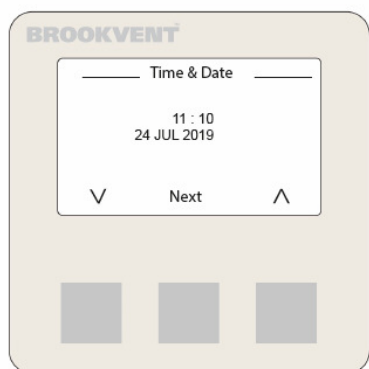
### Statistics



The Statistics screen allows you to see what each sensor is reading in real time.

There is no adjustment possible in this screen as it is for information only!

## Time and Date



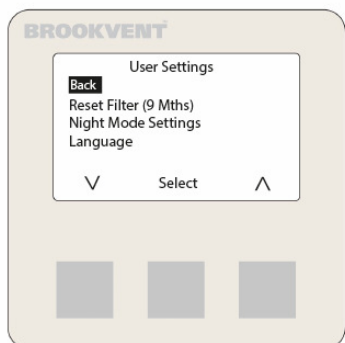
This screen allows you to set the correct time and date. This is particularly important if the night-time mode is activated see point 4b.

Use the up and down arrows to set the hour (24-hour clock) and press next to move to the minutes.

Repeat these steps to set the date, at the end the Next will change to Set. Press this to save the changes and return to the previous screen.

Note: There is no battery back-up for the display; Therefore, in the event of a power cut the time and date will need to be reset.

## User settings



When you enter the User settings screen you are presented with several options that the user can change:

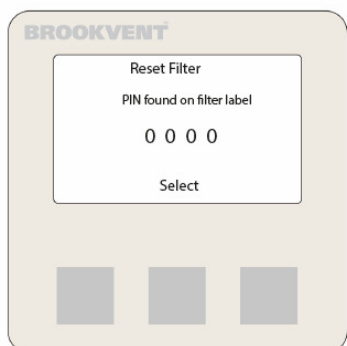
The Pin to reset the filters is on the tab of the filters.

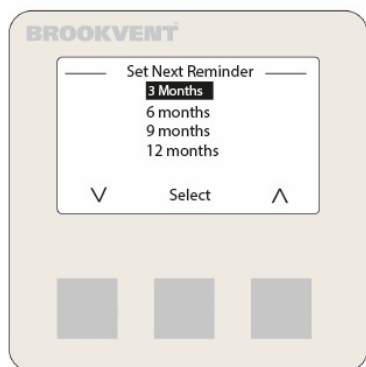
To enter the pin first press Next. Then use the up and down arrows to select the correct number.

Press Next to select the next number until all four have been entered.

If the incorrect pin has been entered, you will be given a message and return to the previous screen. You will have to re-enter the pin again to access the reset filter menu.

### Reset Filter

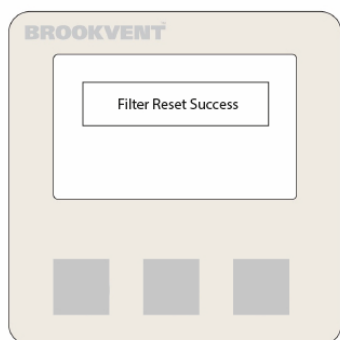




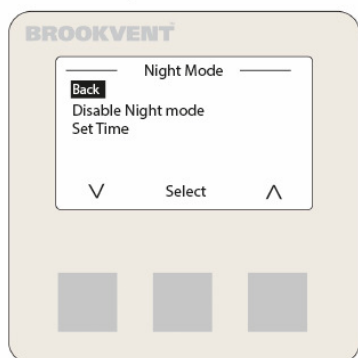
On entering the set Next Reminder screen, you will be presented with the above options.

Brookvent recommend that you change your filters at least every 12 months; However, it is good practice to inspect them and clean them more regularly to maintain good indoor air quality and protect the MVHR unit.

Filters can be cleaned by removing from the unit and giving them a quick vacuum.



### Night Mode Settings



Night mode Disables the boost signals from the internal sensors and external boost signals.

Night mode can also have a dedicated speed setting that is set in engineering settings.

In the Screen above the night mode is enabled; therefore, the option given is to Disable Night Mode.

To disable the night mode, use the arrows to highlight the option and press select. This will disable the night mode and the option will change to Enable night mode.

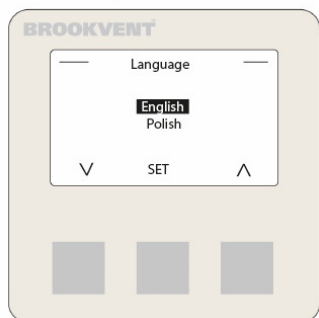
To set the time that the system will enter night mode press the arrow keys until the Set Time option is highlighted.



Using the arrow keys and the centre Next key set the start and finish time you want the system to enter and leave night-time mode.

This will enter night mode in this time range at the same time every day if night mode is enabled.

## Language



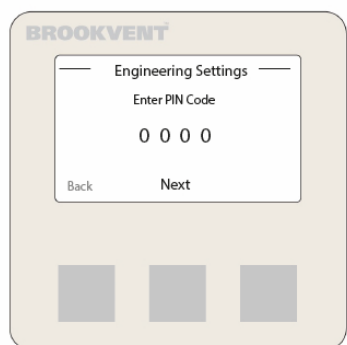
The language in which the menus are displayed can be changed in this menu.

The default language is English.

The language can be set by selecting this menu and using the arrow keys to navigate to the required language.

Press the middle key denoted Set to change the language.

## 6.8.3 ENGINEERING SETTINGS



Engineering settings are pin protected and are for use by the commissioning engineer.

It is important that these settings not be tampered with after commissioning to ensure good indoor air quality and help the unit to run as intended.

For commissioning engineers, the pin is 9876

First press Next and then using the arrow keys select the first number.

Press the middle Next Key to move to the next digit.

When entering the last digit Next will change to Set.

If the Pin is incorrect, you will receive a message and have to go through the process again.

On entering the correct pin, you will be presented with the list of options over several screens.



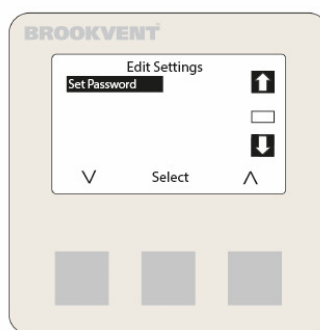
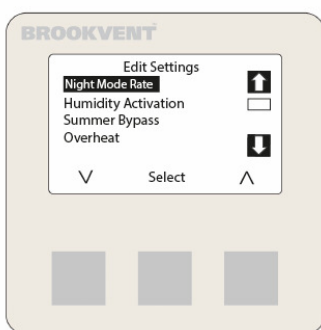
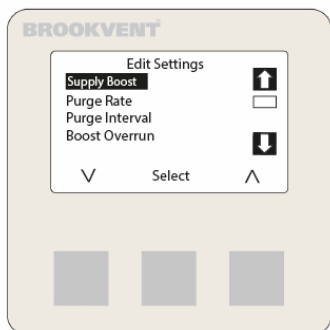
## Engineering settings



Edit Settings allows you to commission and set up the operation of the system.

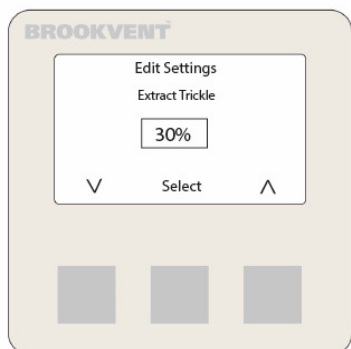
Download settings allows you to download saved settings from an already commissioned system to the display.

Upload settings allows you to upload settings from a commissioned display to a new unit as a baseline for commissioning.



Use the arrow keys to navigate to the setting you want to change and press the middle Select key.

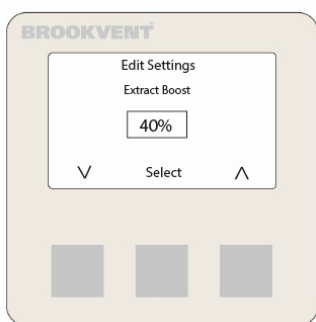
### Extract Trickle



Press the up and down to set the percentage fan speed between 0-100%. Pressing and holding the arrow button will change the speed by 5%. The fan speed will change as you set it but there may be a slight delay of approximately 5 seconds. To move the percentage points 1 at a time just press and release the arrow button.

Note: the unit needs to be in trickle mode for changes to be noticed or measured.

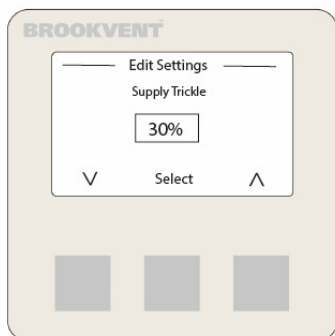
### Extract Boost



Press the up and down to set the percentage fan speed between 0-100%. Pressing and holding the arrow button will change the speed by 5%. The fan speed will change as you set it but there may be a slight delay of approximately 5 seconds. To move the percentage points 1 at a time just press and release the arrow button.

Note: the unit needs to be in Boost mode for changes to be noticed or measured.

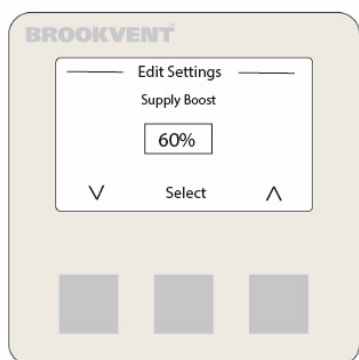
### Supply trickle



Press the up and down to set the percentage fan speed between 0-100%. Pressing and holding the arrow button will change the speed by 5%. The fan speed will change as you set it but there may be a slight delay of approximately 5 seconds. To move the percentage points 1 at a time just press and release the arrow button.

Note: the unit needs to be in trickle mode for changes to be noticed or measured.

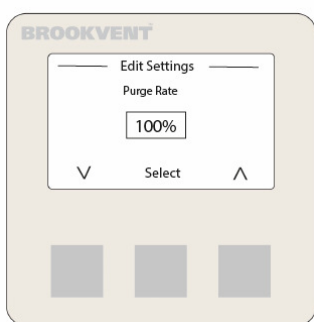
## Supply Boost



Press the up and down to set the percentage fan speed between 0-100%. Pressing and holding the arrow button will change the speed by 5%. The fan speed will change as you set it but there may be a slight delay of approximately 5 seconds. To move the percentage points 1 at a time just press and release the arrow button.

Note: the unit needs to be in Boost mode for changes to be noticed or measured.

## Purge Rate



Purge is used to rapidly vent the dwelling for a short period of time and is generally used where windows cannot be opened. E.g. Toast is burnt, rooms being painted etc.

Press the up and down to set the percentage fan speed between 0-100%. Pressing and holding the arrow button will change the speed by 5%. To move the percentage points 1 at a time just press and release the arrow button.

## Purge interval



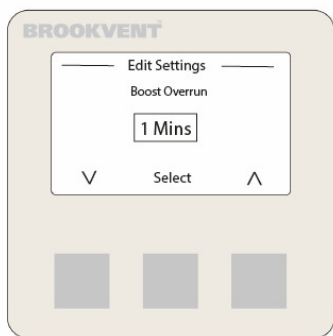
This sets the length of time you want the system to purge. As this is generally a high level of ventilation it is not possible to leave the unit running in this condition constantly.

The times can be set in 5-minute intervals up to 60 minutes.

After this time the unit will come out of purge mode; but can be put back into this mode if required.

Brookvent recommend a time of 15 minutes or less for this function.

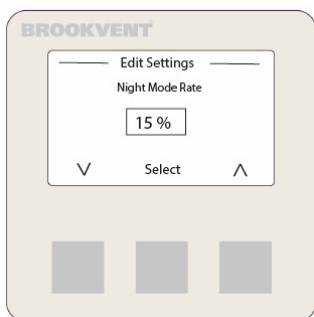
## Boost Over run



A boost over run can be set to allow the system to continue boosting after the boost signal (either from internal sensors or external signals) has stopped. As the system returns to the trickle rate after the boost signal ends this is not generally required but can be useful to prevent sensors sending the unit in and out of boost when the conditions are close to their switching point.

The default setting is 1 minute but this can be changed using the arrow key and the middle set button.

## Night Mode Rate

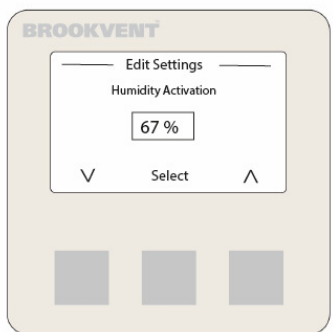


Night Mode disables boost signals and can have a separate fan speed. To avoid inadequately ventilating the property, Brookvent recommend that this fan setting should be set at the same level as supply trickle.

Press the up and down to set the percentage fan speed between 0-100%. Pressing and holding the arrow button will change the speed by 5%. The fan speed will change as you set it but there may be a slight delay of approximately 5 seconds. To move the percentage points 1 at a time just press and release the arrow button.

Note. The same fan percentage will be applied to both fans therefore there may be an imbalance in the ventilation rates in this mode.

## Humidity Activation



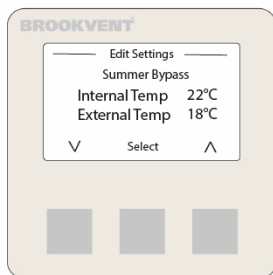
This sets the point at which the internal humidistat will activate boost. The measurement is taken at the unit so care needs to be taken to account for dilution from the wet rooms that are not in use.

Generally, this is set at 70% and is disabled for the first hour after the unit has been switched on to allow for commissioning.

The default setting is 70% but this can be changed using the arrow keys and the middle set button.

Note: changing this setting to 100% effectively switches this function off. Too low a setting could leave the unit in boost constantly!

## Summer Bypass



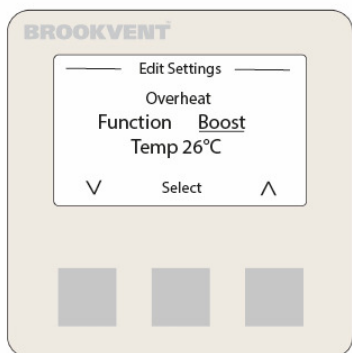
Set at default rates for the standard passive summer bypass module.

The active summer bypass units can be set to operate on the conditions on this screen (not yet available).

Press the arrow keys to adjust the temperatures and press the middle Select button to change to the External temperature.

## Over-heat protection

This is an automatic setting to increase the ventilation rate when the temperatures within the dwelling exceed comfortable levels.



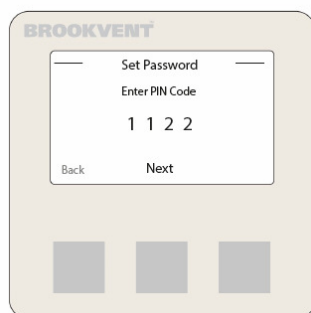
By pressing the arrow keys, you can change the function between boost or purge. Press Select to move to the temperature at which this will be activated.

Use the arrow keys to change the temperature to the desired level.

Press set to save the changes. This function can effectively be switched off by setting a very high temperature.

Note the measurement is taken at the unit so care needs to be taken to account for dilution from the other rooms in the case that only one of the rooms is likely to over-heat.

## Set Password



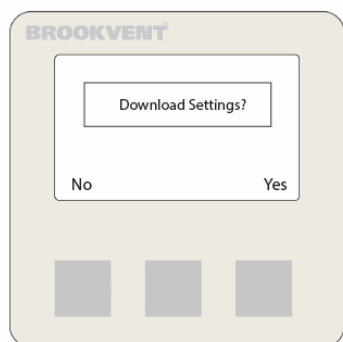
The password to enter Engineering settings is printed in the manual, but if you wish this can be changed to your own unique 4-digit code.

On entering the Set password screen, you are reminded what the current password is.

Press next to continue and use the arrow keys to change the digit to the required value. Press next to move over to the next digit. When you get to the last digit, press Set to save the new password.

Should you ever forget this password please contact Brookvent.

## Download settings



Download setting can be used when connecting a new display to unit that has been set up.

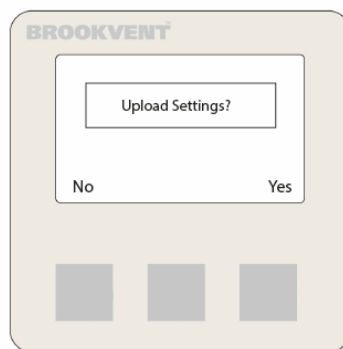
This will download the settings from the main board to the display.

After connecting the new display, enter engineering settings but DO NOT enter edit settings.

Go to Download press the right- hand key denoted Yes

To go back to the previous screen, press the left hand key denoted No.

## Upload Settings



Upload setting can be used when connecting a display that has been programmed to a new unit.

i.e. when the unit are being set but the controllers are not being left with the end user or when multiple similar properties are being commissioned, initial settings can easily be achieved.

This will upload the settings from the display to the main board.

After connecting the display, enter engineering settings but DO NOT enter edit settings.

Go to Upload press the right-hand key denoted Yes

To Upload press the right-hand key denoted Yes.

To go back to the previous screen, press the left hand key denoted No.

Upload settings can be used to Pre-commission units in similar property types or similar operational specifications i.e. if all units in the project have the same purge rate, night-time settings over run time etc/ this can speed up the commissioning process.

Note it should not be assumed that units with the same settings fitted in the same type of property will achieve the required airflows. Full commissioning should still be carried out.

## 7.0 Maintenance



**Warning:** Dangerous Voltage. Before completing any form of maintenance, ensure to isolate the unit from the mains and ensure all supply circuits are disconnected.

This HRV unit may contain connections/signal wires from multiple electrical circuits. **ISOLATING THE CONTROL BOX WILL NOT ISOLATE ALL CIRCUITS WITHIN THE UNIT- PLEASE ENSURE ISOLATION OF ALL CONNECTING CIRCUITS BEFORE ACCESSING THE UNIT.** Examples of other connecting circuits are electric showers, lighting circuits, and humidistats. These connecting circuits may be used to trigger the auto-boost in the system.

It is important to follow all guidelines relating to the maintenance of this HRV system to ensure the unit continues to perform to the levels required.

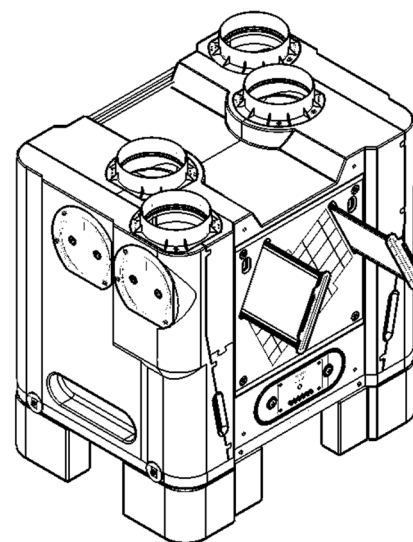
### 7.1 Filter Replacement

The filters of this HRV unit will usually need to be changed every 6 – 12 months depending on occupancy/ use, and the type of environment the dwelling is located in (i.e. urban/ rural, and their associated levels of airborne pollutants).

It is recommended that the filters are checked every 6 months. Replacement filters can be purchased online at [brookvent.co.uk](http://brookvent.co.uk)

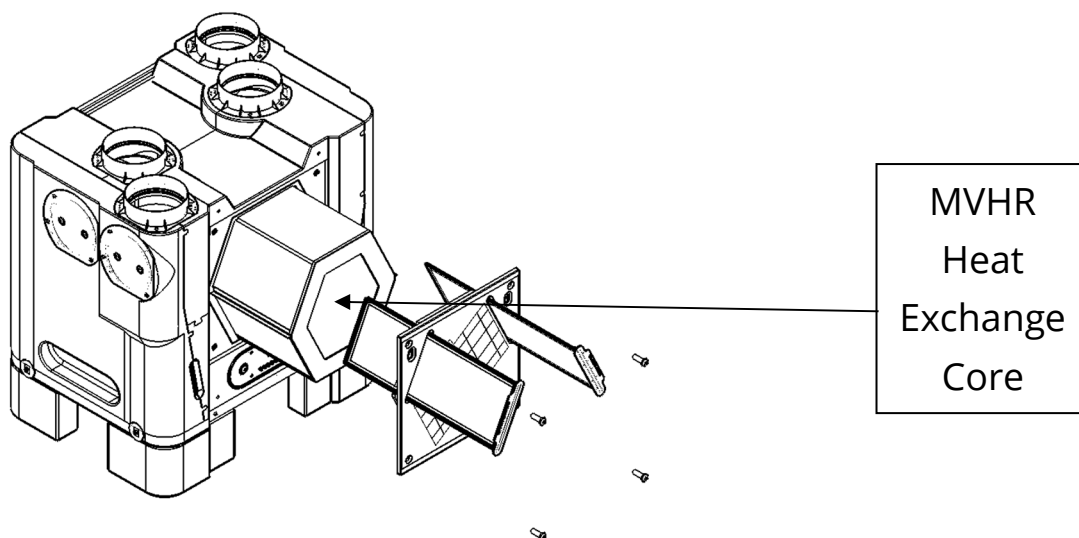
To change the filters, simply remove each filter cover cassette from the front of the unit and replace ensuring a press tight seal.

**Important:** Blocked filters will shorten the life span of your fan and increase the energy consumption. Never run the HRV system without filters as this will allow unfiltered material to build up in the heat recovery core and connected ductwork. In new build properties it may be prudent to check/ change your filters after the first 3 months of occupancy depending on the amount of residual 'building dust' present within the property.



## 7.2 Heat Exchange Core Check

The aircycle 4.1 heat recovery core is protected by 2 no. filters. As long as the filters are regularly changed as detailed in the previous section there should be no need to access the system's heat recovery core. However, should regular filter changes not be adhered to it may be advisable to access the system's heat recovery core, and where required, clear it of any debris that may have collected.



**Step 1.** Isolate the unit from the mains and ensure all supply circuits are disconnected. Never run the system with the MVHR heat exchange core removed.

**Step 2.** Remove the front door panel via its 4 screws.

**Step 3.** Remove both filters.

**Step 4.** Remove the heat exchanger from the unit by pulling the plastic strip running across the front of the heat exchanger.

**Step 5.** Carefully remove any dust from the heat exchanger with a household vacuum cleaner. Do not attempt the clean the heat exchanger with any fluids.

**Step 6.** Carefully reinsert the heat exchange core into the unit.

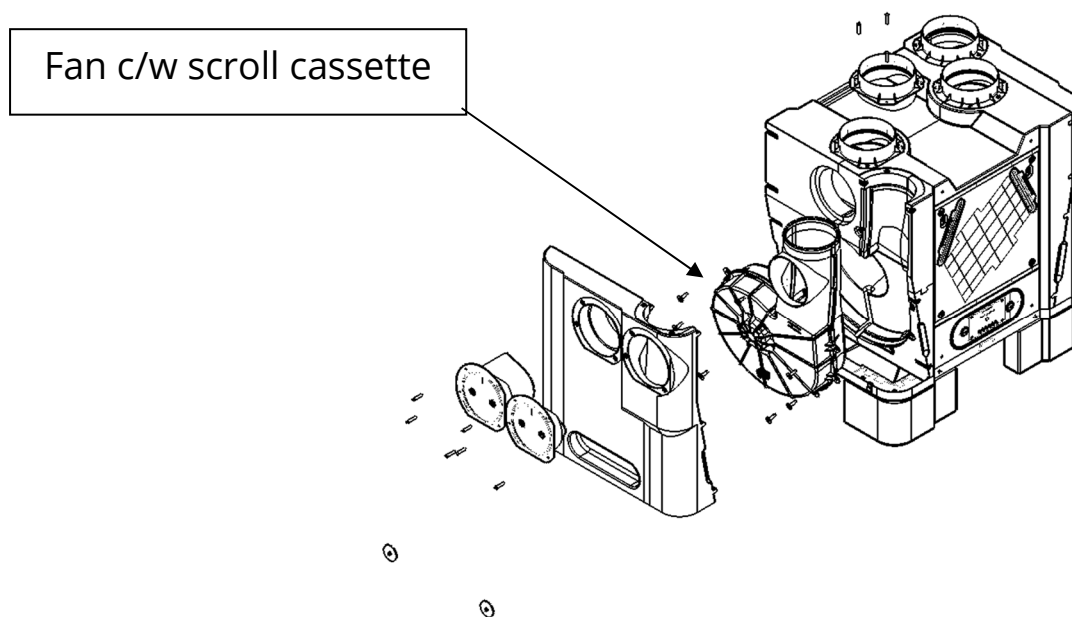
**Step 7.** Reinsert both filters (change if necessary) and replace the front door ensuring all four screws are securely fastened. Also ensure the filter tabs on the front of the unit are securely fitted.

**Step 8.** Power the unit on at the isolator and ensure any supply circuits are reconnected.



### 7.3 Fan Replacement

The aircycle 4.1 heat recovery system has a very straight forward fan replacement process should the unlikely event of a fan failure occur.



**Step 1.** Isolate the unit from the mains and ensure all supply circuits are disconnected.

**Step 2.** Unscrew the side plugs and remove.

**Step 3.** Remove the side panel.

**Step 4.** Unplug the two leads from the fan.

**Step 5.** Unscrew the scroll assembly from the casing and remove the scroll assembly. This Whole assembly should be returned to Brookvent.

**Step 6.** Place the new scroll assembly in the recess in the case and ensure the holes line up with the screw insert. Fix the scroll assembly to the case.

**Step 7.** Re-plug the connectors (they are two different types so they cannot be mixed up).

**Step 8.** Re-fit the end panel.

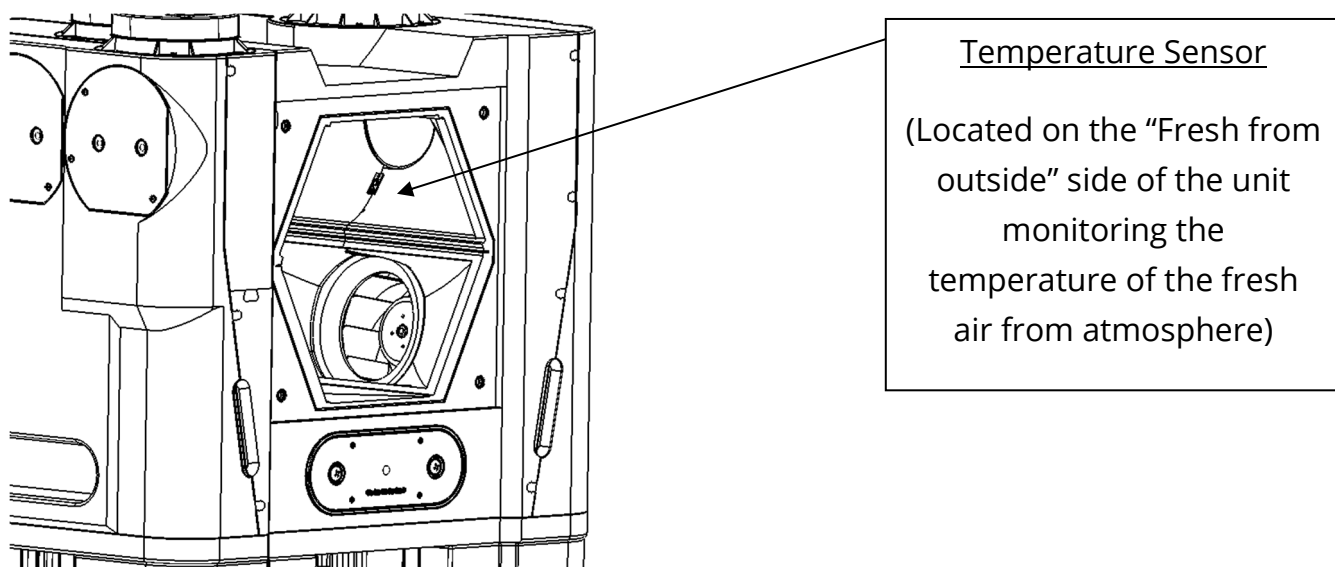
**Step 9** fit the side plugs, (the long plug always fits in the centre hole), and screw to fix.

**Step 10.** Power the unit on at the isolator and ensure any supply circuits are reconnected. The unit will not need to be re-commissioned as the controller will hold the settings.

## 7.4 Sensor Replacement

Replacement of the aircycle 4.1's temperature sensor and/or humidity sensor is also very straight forward in the unlikely event of a failure occurring.

### 7.4.1 Temperature Sensor Replacement



**Step 1.** Isolate the unit from the mains and ensure all supply circuits are disconnected.

**Step 2.** Remove the front door panel via its 4 screws.

**Step 3.** Remove both filters.

**Step 4.** Remove the heat exchanger from the unit by pulling the plastic strip running across the front of the heat exchanger.

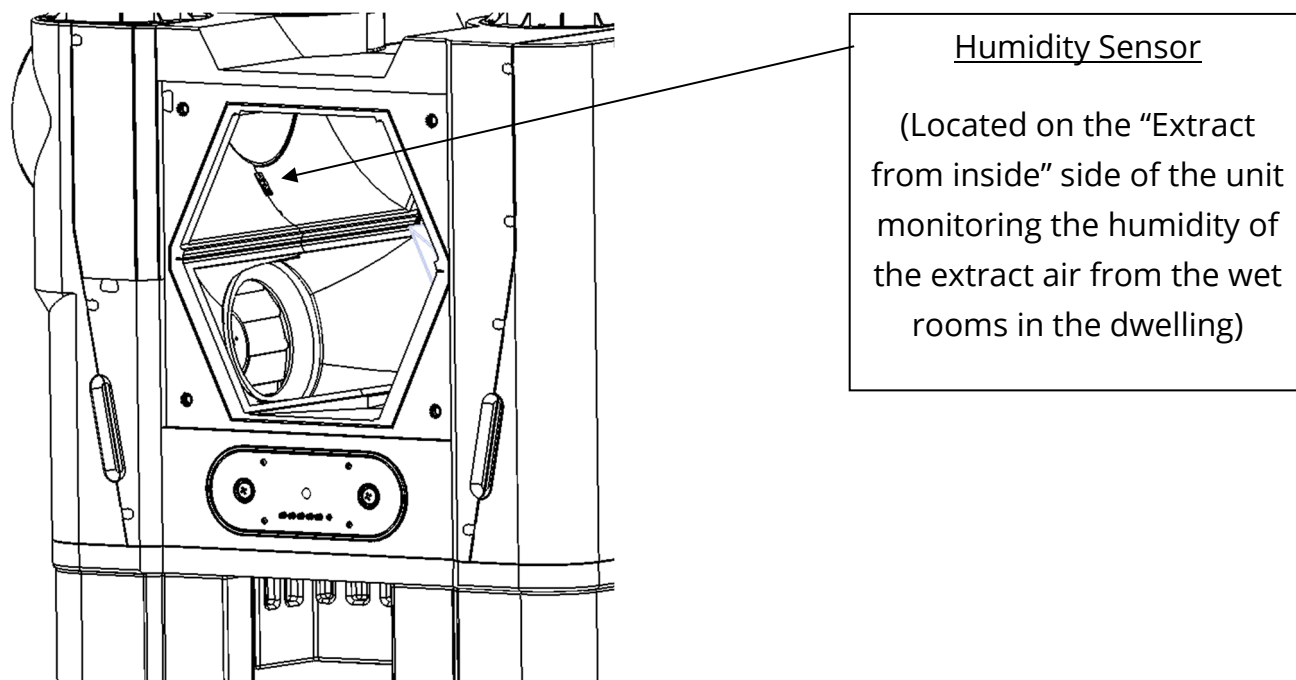
**Step 5.** Plug the new sensor in place and screw it to the case (care should be taken when handling the new sensor, to avoid Electrostatic discharge damaging the sensor, ensure you are earthed when handling).

**Step 6.** Carefully reinsert the heat exchange core into the unit.

**Step 7.** Reinsert both filters (change if necessary) and replace the front door ensuring all four screws are securely fastened. Also ensure the filter tabs on the front of the unit are securely fitted.

**Step 8.** Power the unit on at the isolator and ensure any supply circuits are reconnected.

## 7.4.2 Humidity Sensor Replacement



**Step 1.** Isolate the unit from the mains and ensure all supply circuits are disconnected.

**Step 2.** Remove the front door panel via its 4 screws.

**Step 3.** Remove both filters.

**Step 4.** Remove the heat exchanger from the unit by pulling the plastic strip running across the front of the heat exchanger.

**Step 5.** Unplug the sensor and unscrew it from the casing.

**Step 6.** Plug the new sensor in place and screw it to the case (care should be taken when handling the new sensor, to avoid Electrostatic discharge damaging the sensor, ensure you are earthed when handling).

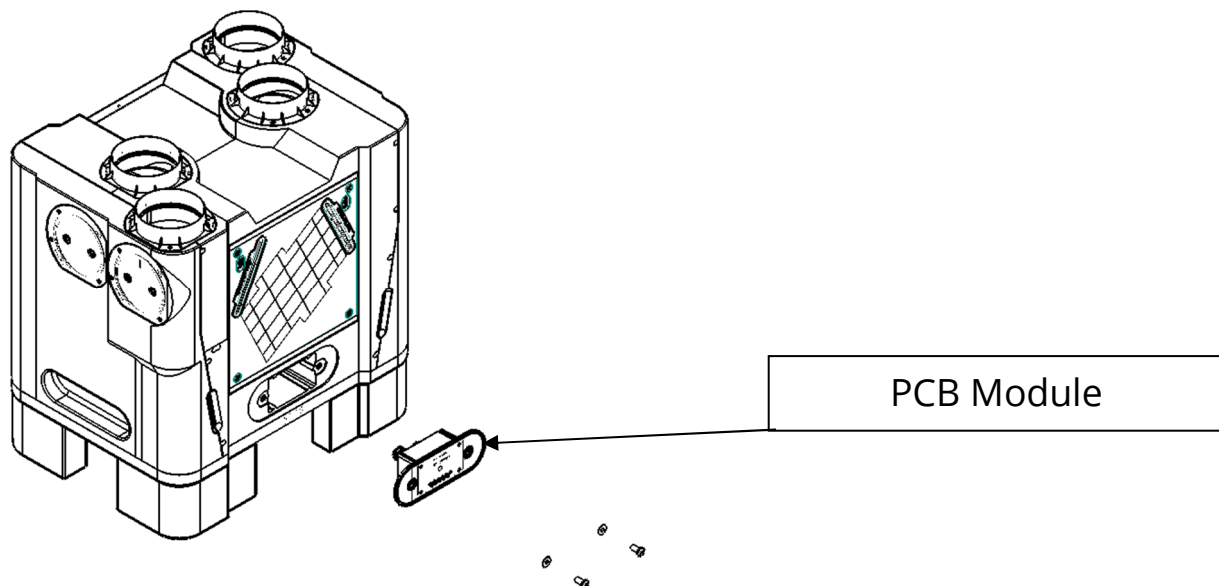
**Step 7.** Carefully reinsert the heat exchange core into the unit.

**Step 8.** Reinsert both filters (change if necessary) and replace the front door ensuring all four screws are securely fastened. Also ensure the filter tabs on the front of the unit are securely fitted.

**Step 8.** Power the unit on at the isolator and ensure any supply circuits are reconnected.

## 7.5 PCB Module Replacement

In the unlikely event of an electronic PCB failure, the Aircycle 4.1's PCB module can be easily disconnected and replaced.



**Step 1.** Isolate the unit from the mains and ensure all supply circuits are disconnected.

**Step 2.** Disconnect the mains from the fused spur.

**Step 3.** Disconnect the Ethernet cable from the socket or junction box.

**Step 4.** Unscrew the two large screws in the front of the control panel and pull out the PCB assembly.

**Step 5.** Unplug all the leads, the connectors are all marked to match up with their corresponding internal connections.

**Step 6.** Feed the mains cable from the replacement assembly through the unit and out the through the hole in the back plate.

**Step 7.** Connect all the cables back up ensuring to connect each cable to the correctly marked connector.

**Step 8.** Replace the assembly in the pocket and secure in place with the screws.

**Step 9.** Connect the mains to the fused spur.

**Step 10.** Crimp the RJ45 to the Cat 5e cable if connected to a socket; Otherwise connect to the junction box

**Step 11.** Power the unit on at the isolator and ensure any supply circuits are reconnected. The unit will need to be re-commissioned.

## 7.6 Additional Maintenance Checks

It is recommended that the following checks are also made when completing annual maintenance of the HRV unit:

- **Condensate Drain:** Ensure the condensation drain is firmly secured and is clear of any debris, remove/ clean if necessary.
- **Fixings:** Ensure that all of the unit fixings and the mounting fixings have not become loose over time and are kept sufficiently tight.

## 8.0 User Operation

The Brookvent aircycle 4.1 is an extremely compact and highly efficient Mechanical Heat Recovery Ventilation (HRV/MHRV) system, specifically designed for medium to large dwellings and apartments.

The system should be run continuously 24 hours a day, and should only be disconnected by a competent person during service or maintenance.

The system works by drawing stale air from 'wet rooms' such as Bathrooms, WC's and Kitchens, recovering up to **93%** of the heat from this air using a highly efficient heat exchanger, before expelling the waste air outside the home. Simultaneously, fresh air is drawn into the home, filtered and warmed by the recovered heat and supplied into the 'habitable rooms' such as bedrooms, dining rooms and living rooms.

How your system is configured upon installation will influence how it can be operated at the user level. Please ensure to refer to the commissioning certificate provided by your installer for full details.

### General Guidance

Your system may be set up to boost from trickle speed automatically via sensors (e.g. Passive Infrared Sensors) or manually via simple switch controls. These may be timed switches or push/pull switches. Boost options, if provided and if required, should be used when excess pollutants are being generated within the home (Cooking, Bathing etc.)

With certain dwellings the system may be configured to operate at what is known as a “constant ventilation rate”. This means that there is no boost required to adequately ventilate the home and the system operates at one set level at all times requiring no user input/control.

## 8.1 Typical Automatic Control Options

Your system commissioning certificate completed by your system installer should detail your automatic control options (if any).

### **Passive Infra-red (PIR) Sensors**

These are motion sensing switches; these sensors trigger the system into boost mode when activity/ motion is detected in a particular room. They are typically put into sanitary accommodation or bathrooms.

### **Humidistat**

These sensors detect humidity in the air and trigger the system into boost mode when humidity reaches a certain level. These are typically placed in bathrooms or in kitchens. Please note that the aircycle 4.1 system has an In-built humidistat that operates in the same fashion.

### **Light switch**

The lighting circuit of the home can be used to boost the system meaning that when the occupier enters the room and turns the on the light, the system is triggered into boost mode. This is typically used in sanitary accommodation and bathrooms. A double pole switch should be used.

\*The items detailed above are examples of the types of Automatic Control Options that are typically used in conjunction with the Brookvent aircycle 4.1\*

## 8.2 Typical Manual Control Options

**Your system commissioning certificate completed by your system installer should detail your manual control options (if any).**

### **Spring loaded switch**

This switch may be placed in any room within the house; however, it is typically used in sanitary accommodation, bathrooms and or kitchens. When pressed, it will trigger the system into purge mode for a defined time.

### **Trickle and Boost switch**

This is a simple high/low switch with no determined time delay. When the switch is flicked to boost the system goes into its boost state, the switch then must be put back to trickle by the occupier for standard operation. (Please note that the aircycle 4.1 system has an adjustable boost overrun time of up to 15mins).

If using a momentary Switch to put the units into a timed boost using the overrun; you Must press the momentary switch for at least 4 seconds, or the unit will enter purge mode.

\*The items detailed above are examples of the types of Manual Control Options that are typically used in conjunction with the Brookvent aircycle 4.1 \*

## 9.0 Trouble Shooting

### **The MVHR unit is not running?**

1. Check that the unit is connected to a 3amp fused spur as per the wiring instructions.
2. Check that there is a live feed to the fused spur. This should only be completed by a qualified electrician.
3. Check that the 3-amp fuse has not tripped/blown. This should only be completed by a qualified electrician.
4. Check that all the spindles are in the full power position (fans can take a few seconds to start up).

### **The system is constantly in Boost mode?**

New houses can be quite damp with items drying out; this can cause the inbuilt humidistat to activate. Turning the internal humidistat up to 100% RH will allow the unit to switch back to trickle speed (This may take 15min depending on the boost over-run setting which can be adjusted to 0min on the control panel to temporarily disable). Remember to turn the humidity stat back to its factory set of 70% RH upon achieving the commissioned and reset the boost over-run time, if required).

## 10.0 Customer Support

At Brookvent we pride ourselves on providing Gold Standard after sales and support to all customers. Please feel free to contact one of our specialist team about any query you may have and we will be more than happy to assist you.

Brookvent  
Brook House,  
Dunmurry Industrial Estate,  
Dunmurry,  
Belfast  
Northern Ireland, BT17 9HU

T: +44 (0) 28 9061 6505

---

It is important to retain this manual and make a copy available to any person using or working with (maintaining) the system.

Brookvent operate a policy of continuous innovation and improvement and thus reserve the right to alter product specifications and appearances without notice.