

BROOKVENTTM

airstream
1.1 E / EH

The **BROOKVENT airstream 1.1 E / EH** is an efficient and quiet continuous mechanical extract ventilation (MEV) unit with duct connections to each wet room.

The Airstream Control Indicator ensures full compliance with TGD Part F 2019



Brookvent.ie

AIRSTREAM 1.1 E / EH

KEY FEATURES

- Specific Fan Power of just 0.16w/l/s.
- 5 individual 125mm extract spigots available.
- Compact design.
- Versatile installation to wall, ceiling or floor.
- Light to handle.
- 100% variable speed motors for precise commissioning.
- BMS capability.
- 0-10V input.
- Volt free contact boost capability.
- TimerSMART™ eliminates nuisance noise and over-ventilation by determining the duration of occupancy and allocating a suitable overrun time.
- HumidiSMART™ continuously monitors the humidity level within the home and looks for a man-made spike before boosting the unit, irrespective of distance or dilution.
- The Airstream Control Indicator ensures full compliance with TGD Part F 2019

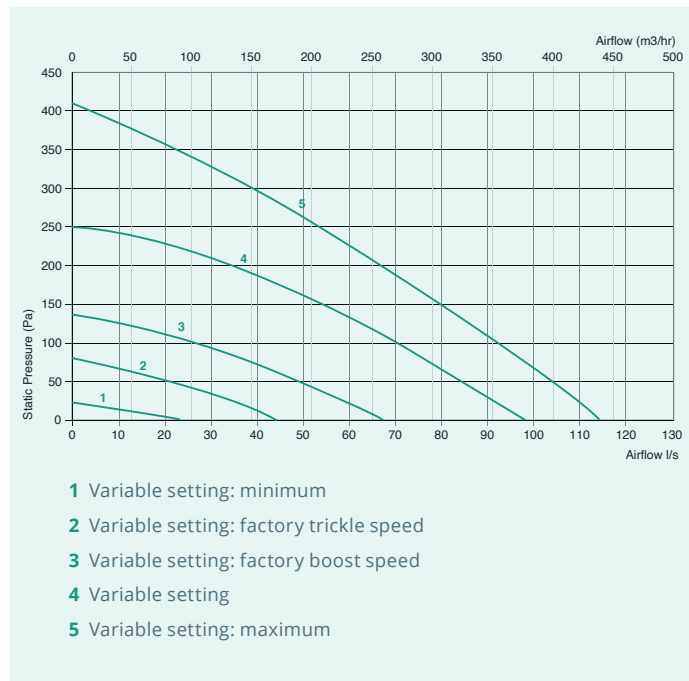
TECHNICAL SPECIFICATION

Weight	3.8 Kg
Ducting ø	125 mm
Number of extract spigots	5
Materials	High grade polypropylene
Supply voltage	230V / single-phase / 50Hz
Maximum power consumption	38 W
Current draw	0.5 amp
Fuse rating	3 amp
Specific Fan Power	0.16 W/l/s

SAP PCDB TEST RESULTS

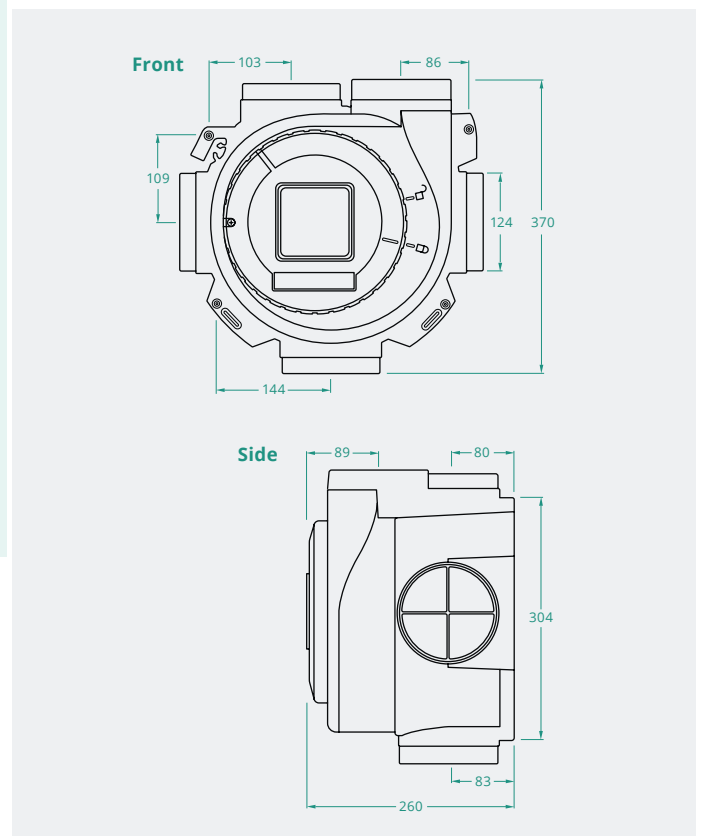
	SFP (W/l/s)	
	2009	2012
K+1	0.17	0.17
K+2	0.16	0.16
K+3	0.17	0.17
K+4	0.18	0.18
K+5	0.22	0.22
K+6	0.24	0.24

PRESSURE CURVE

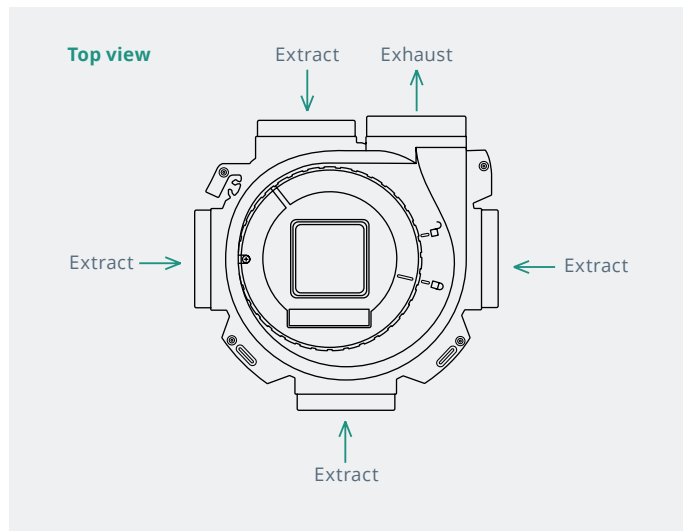


DIMENSIONS

Height	260 mm
Width	381 mm
Depth	371 mm



AIR DIRECTION/CONNECTION



SOUND DATA

Setting	Test Area	Octave Band (Hz) Sound Power Level, dB							dB(A)@3m
		125	250	500	1000	2000	4000	8000	
1	Casing	29.6	17.9	16.1	12.7	13.9	18.6	25.2	8.7
	Extract	26.8	15.4	12.9	11.5	12.6	18.5	25.1	
2	Casing	32.9	34	25.1	17.6	15.2	18.6	25.2	13.0
	Extract	37.7	34.1	26.5	17.2	13.5	18.5	25.1	
3	Casing	39.9	42.7	40.6	29.5	26.2	19.9	25.3	22.8
	Extract	44.3	43.2	41.5	29.4	23.8	19.7	25.1	
4	Casing	42.9	49.2	50.5	43.7	35.8	27.2	26.4	31.5
	Extract	50.7	50.7	48.1	42.9	35.9	29.1	26.3	
MAX	Casing	45.1	49.9	48.5	48.5	40.1	33	28	33.7
	Extract	50.2	56	50.8	47.4	40.4	35.7	29.4	

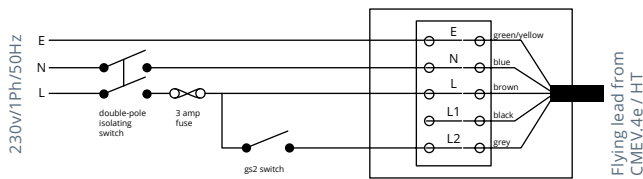
Tested according to BS EN 13141-6:2004.
Extract showing induct sound power level.
Casing dB(A) @ 3m given as hemispherical.

WIRING

Electrical connections should be carried out in accordance to IEE regulations by a qualified electrician.
The unit is supplied with a flying lead for connection to the mains supply.

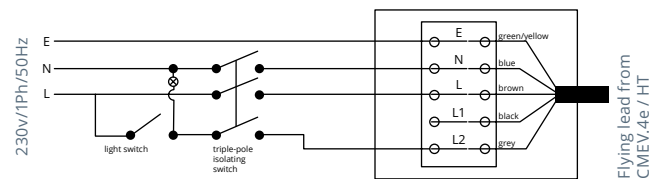
Two speed control via switch

Connector box for mains voltage cabling (Not Supplied)



Two speed control via light switch

Connector box for mains voltage cabling (Not Supplied)



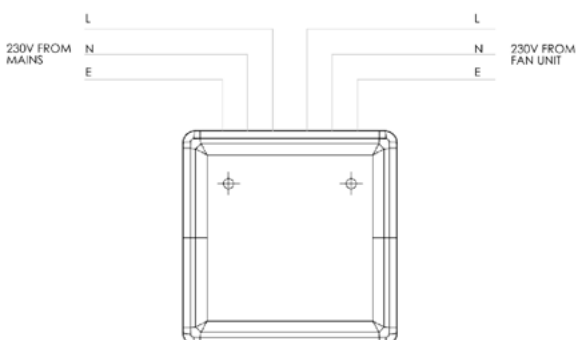
AIRSTREAM WIRED REMOTE STATUS INDICATOR

KEY FEATURES



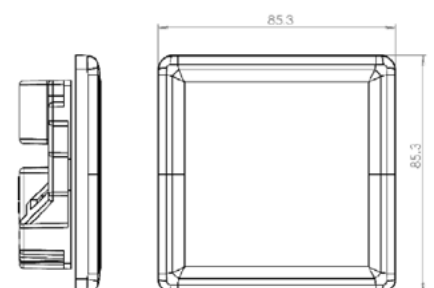
- Green LED indicates normal operation
- Red LED indicates Fault condition
- Fits in a standard Back Box
- Can only be used with Brookvent airstream 1.1E and 1.1 EH

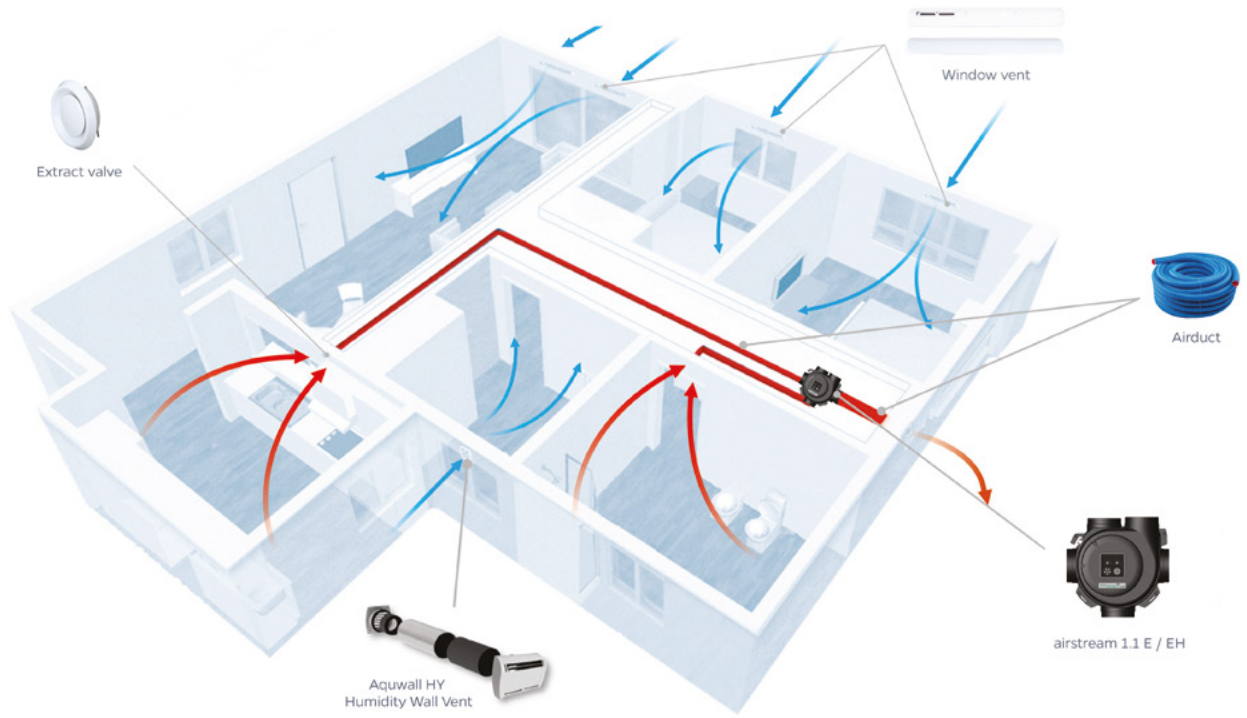
WIRING



DIMENSIONS

Height 85,3 mm
Width 85,3 mm





PRODUCT CODES:

- Product name: airstream 1.1E
- Product description: MEV Unit (EC Motor)
- Product code: AS 92-0101-E-01

- Product name: airstream 1.1EH
- Product description: MEV Unit (EC Motor, Humidistat, Timer)
- Product code: AS 92-0101- E-02

- Product name: airstream Status Indicator
- Product description: Wired remote status indicator
- Product code: AR 92-01-343

BROOKVENT™

Brook House
 38-39 Fitzwilliam Square, Dublin 2
 D02 NX53, Ireland
 tel: 01 546 1004

e-mail: hello@brookvent.ie
brookvent.ie

