

**BROOKVENT**

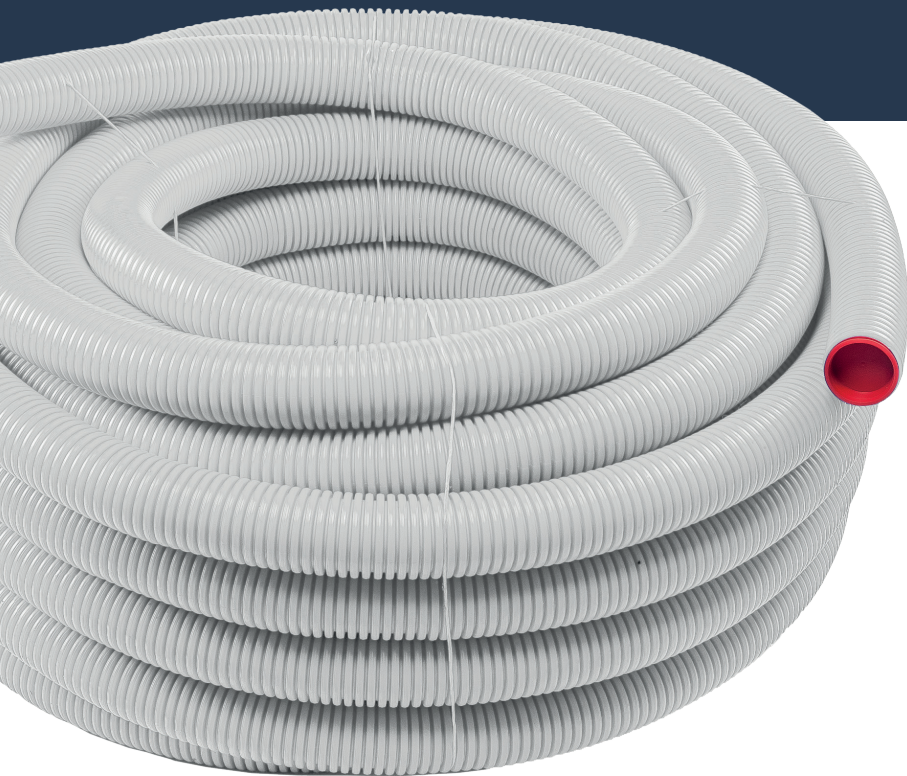
**airduct<sup>o</sup>**

**SEMI RIGID**

---

**THE PROFESSIONALS  
CHOICE**

*for efficient, high performance  
MVHR ductwork installations.*



SAP APPENDIX Q LISTED

   [brookvent.co.uk](http://brookvent.co.uk)

# BROOKVENT airduct<sup>o</sup> SEMI RIGID

## THE PROFESSIONALS CHOICE

*for efficient, high performance MVHR ductwork installations.*

The BROOKVENT airduct SEMI RIGID range is a professional, air-tight, easy install ducting solution system for Heat Recovery Ventilation (HRV / MVHR) installations. The range is tested and listed by the BRE in the UK and can be used with the Standard Assessment Procedure (SAP) calculations in line with Appendix Q.

## WHY CHOOSE AIRDUCT SEMI RIGID?

- Airtight, continuous ducting runs
- Simplified system design
- Faster, easier installation
- Eliminates cross-talk between rooms
- Reduced number of components to seal & fit
- Lightweight & easily transported
- Antibacterial properties (optional)
- Great crush resistance

## TECHNICAL DATA

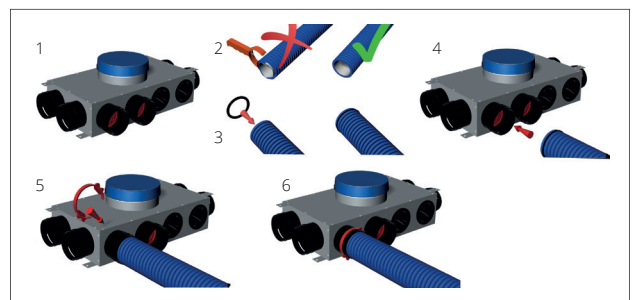
- HDPE (High density polyethylene) double wall construction
- Compression strength: 8 kN/m<sup>2</sup> (PN50086-24)
- Flexibility: 0.35m radius achieved at +20 Degrees Celsius
- Operational temperature range -20 to +60 Degrees Celsius
- Ducting elongation at break: 50%
- EPDM Gasket seals
- Galvanised Steel 275 Plenum boxes
- Comparatively low airflow resistance

<b>Airflow Velocity</b>	2 m/s	2.5 m/s	3 m/s
<b>Pressure Drop</b>	2.6 Pa	4.0 Pa	6.0 Pa

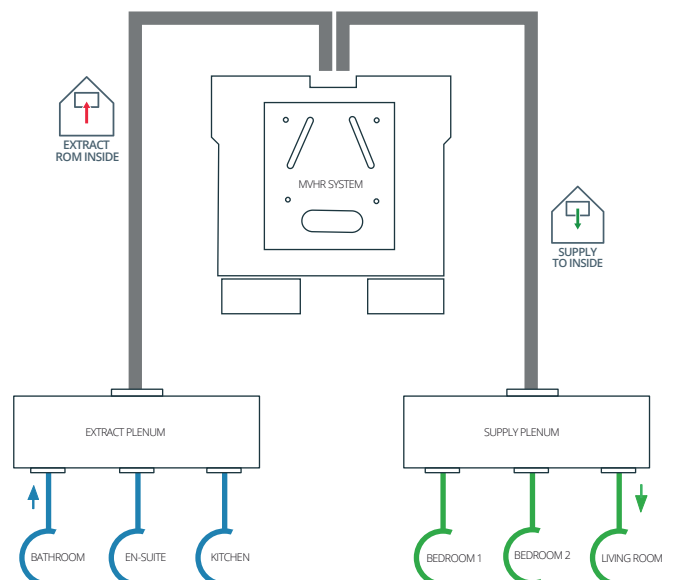
## FITTING OUTLINE

- Each plenum box (supply and extract) should be located as close to the heat recovery unit as possible
- Supply and extract ducting runs are each connected to a dedicated plenum box
- Plenum boxes should be securely mounted using the tabs provided

To connect the semi rigid ducting to the plenum:



- In-line airflow balancing dampers should be installed close to the plenum box, as required
- Ducting should be secured to the building structure using suitable banding
- Any excess plenum box outlets should be sealed with plenum box caps and gasket
- Ducting and plenum boxes located outside the heated envelope of the building should be insulated
- Where ducting penetrates a fire barrier, suitable fire solutions should be used



## 75mm OD SEMI-RIGID DUCT 50m COIL

### DIAMETER

DN 75 mm, DI 61 mm, 50 m

### MATERIAL

plastic HDPE

### NUMBER

AF 70-50-50M-75



## 75mm OD SEMI-RIGID DUCT 50m COIL - SILVER, ANTIBACTERIAL LINING

### DIAMETER

DN 75 mm, DI 61 mm, 50 m

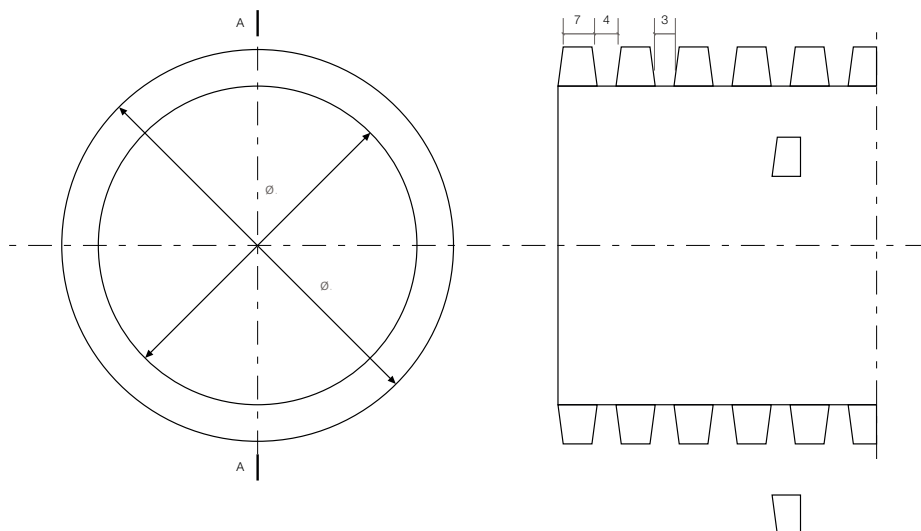
### MATERIAL

plastic HDPE

### NUMBER

AF 70-50-50M-75AB

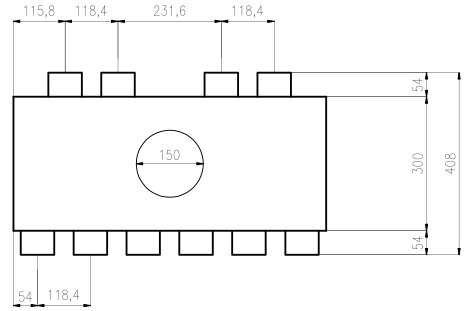
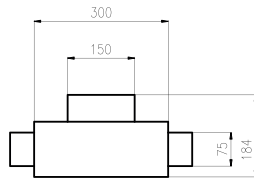
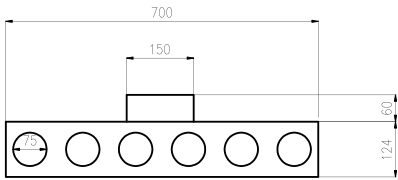
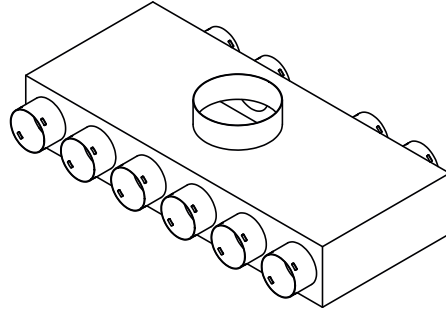
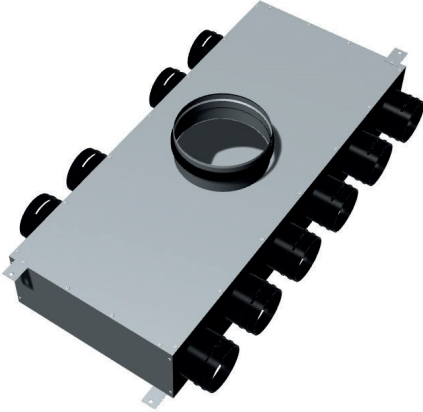
The product's antibacterial lining contains silver nano-particles which protect against the growth of micro-organisms such as, bacteria, fungi and mildew.



## TOP ENTRY 150 ROUND PLENUM - 10No. 75mm

MATERIAL  
Galvanised steel 275

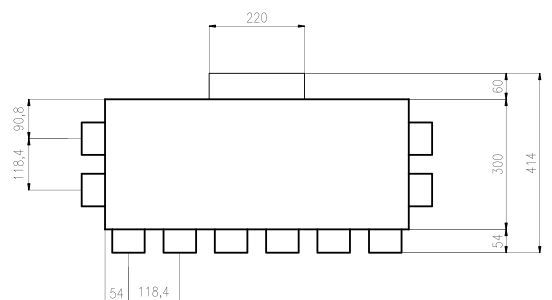
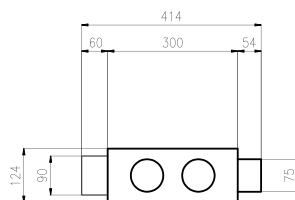
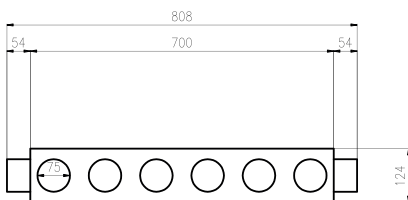
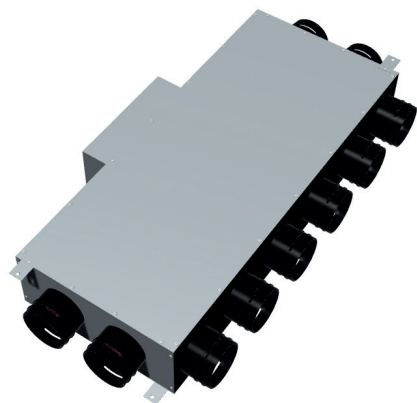
PART NUMBER  
AF-70-50-10X150TE



## REAR ENTRY 220 x90 RECTANGULAR PLENUM - 10No. 75mm

MATERIAL  
Galvanised steel 275

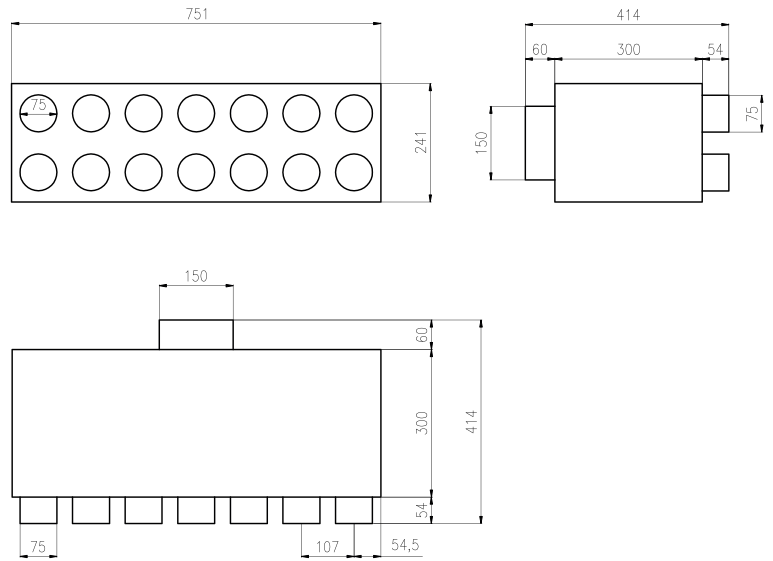
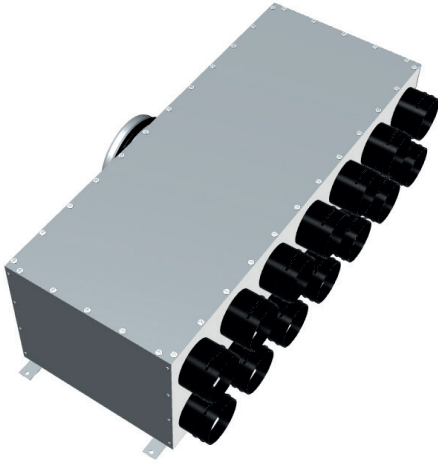
PART NUMBER  
AF-70-50-10X220X90RE



## REAR ENTRY 150 ROUND PLENUM - 14No. 75mm

MATERIAL  
Galvanised steel 275

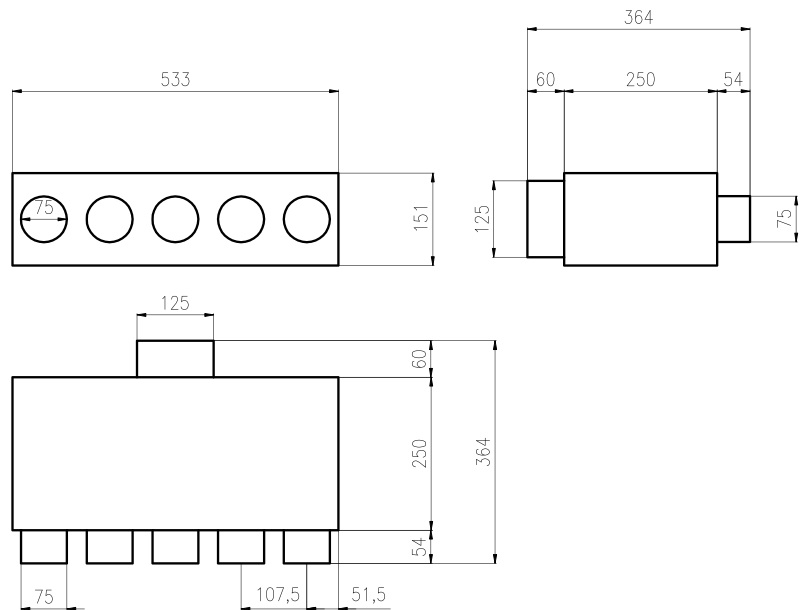
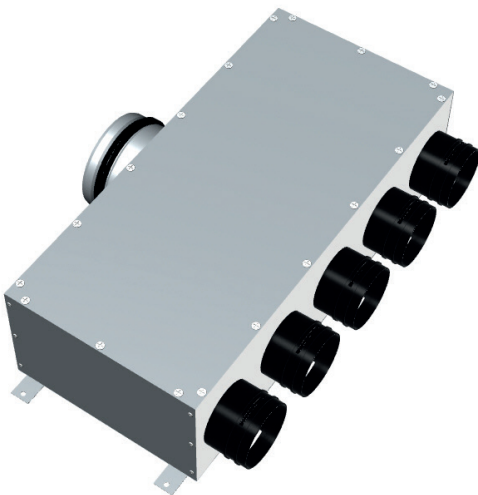
PART NUMBER  
AF-70-50-14X150RE



## Rear Entry 125 Round Plenum 5No. 75mm 320mm LENGTH

MATERIAL

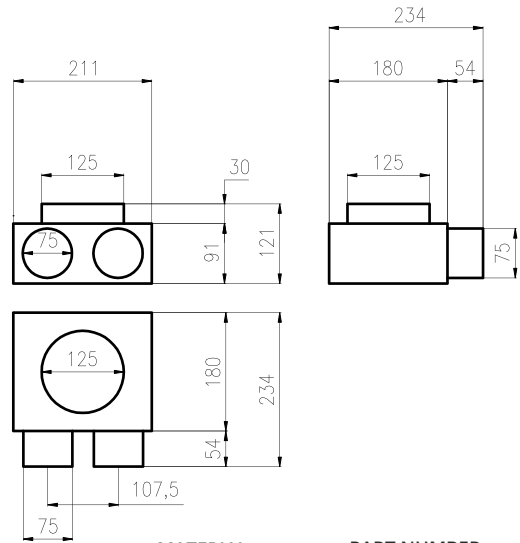
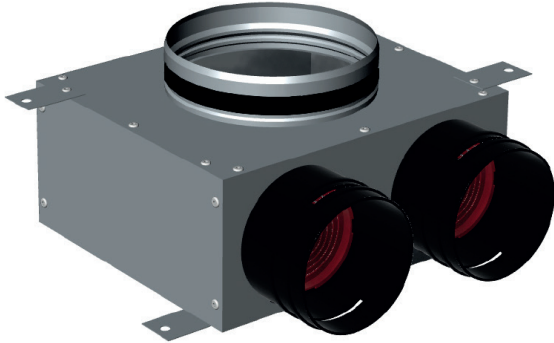
PART NUMBER  
AF 70-50-05X125RE



## TOP ENTRY 125 VALVE PLENUM - 2No. 75mm 30mm LENGTH

**MATERIAL**  
Galvanised steel 275

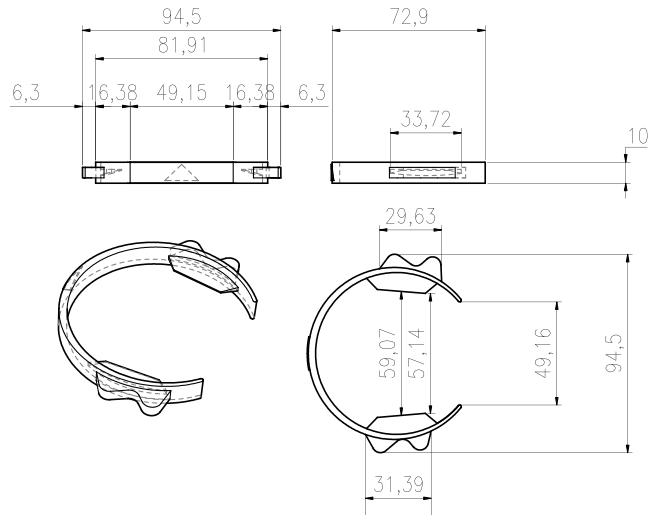
**PART NUMBER**  
AF-70-50-2X125TE30



## Plenum Box Duct Clip - Pack of 10

**MATERIAL**  
Galvanised steel 275

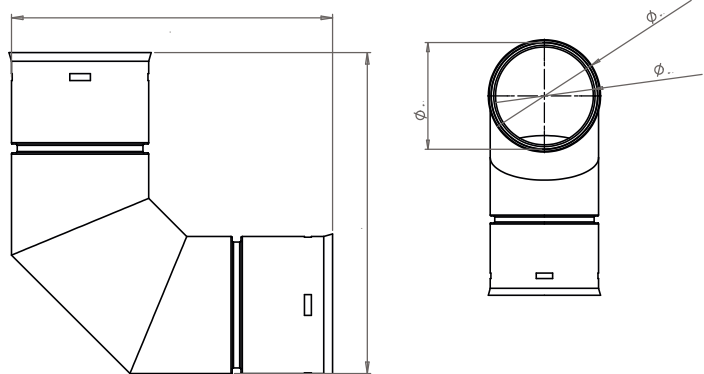
**PART NUMBER**  
AF-70-50-75DF



## 90 DEGREE ELBOW BEND

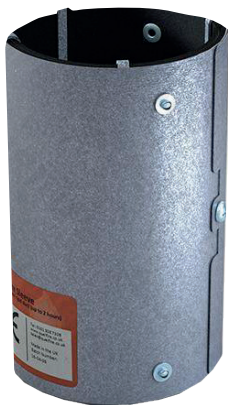
**MATERIAL**  
Galvanised steel 275

**PART NUMBER**  
AF-70-50-7590



## 75mm ROUND FIRE SLEEVE

PART NUMBER  
AF-70-50-75FS



2 hours fire resistance to plastic pipes and ventilation ducts where they penetrate fire compartment walls and floors.

- Only one unit required per penetration
- Can be retro-fitted
- Easy to install with no mechanical fixings required
- Tested to the temperature and pressure conditions of BSEN 1363-1: 1999 and the principles of BSEN 1366-3: 2009

## 75mm SEMI-RIGID DUCT INSULATION - 10m

PART NUMBER  
AF-70-50-R1080



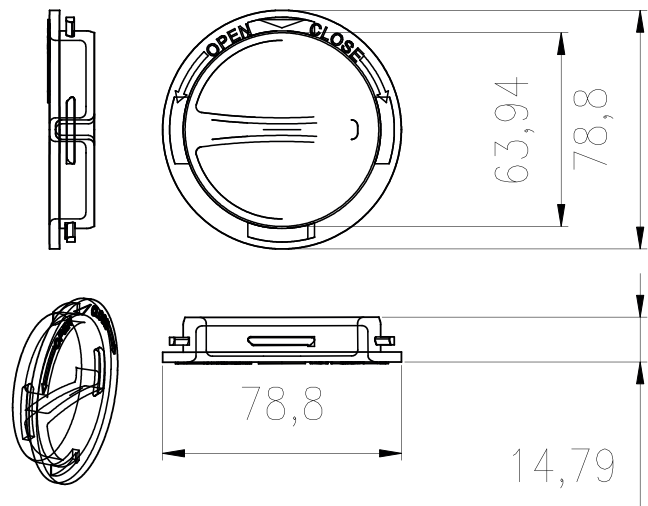
Insulated Aluminium Ducting Sleeve – Consists of an aluminium laminated outer jacket and provided with glass wool insulation layer.

The thermal insulation is suitable for preventing condensation and minimizing heat loss.

Barrier:	Polyester film
Glass wool blanked:	25mm, 16kg/m <sup>3</sup>
Outer jacket:	Alu/Poly laminate
T-value glass wool:	0.65 m <sup>2</sup> K/W
Thermal conductivity:	0.037w/m.k
Temperature range:	-30 °C to 140 °C

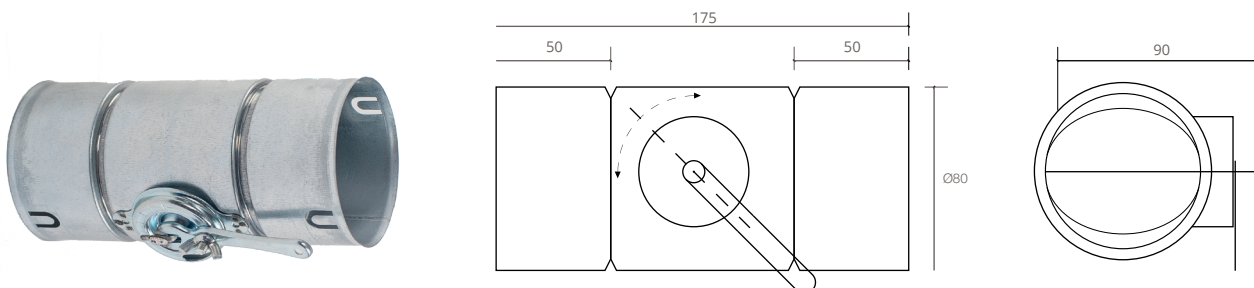
## 75 mm Plenum Box Caps PACK OF 10

PART NUMBER  
AF-70-50-PC



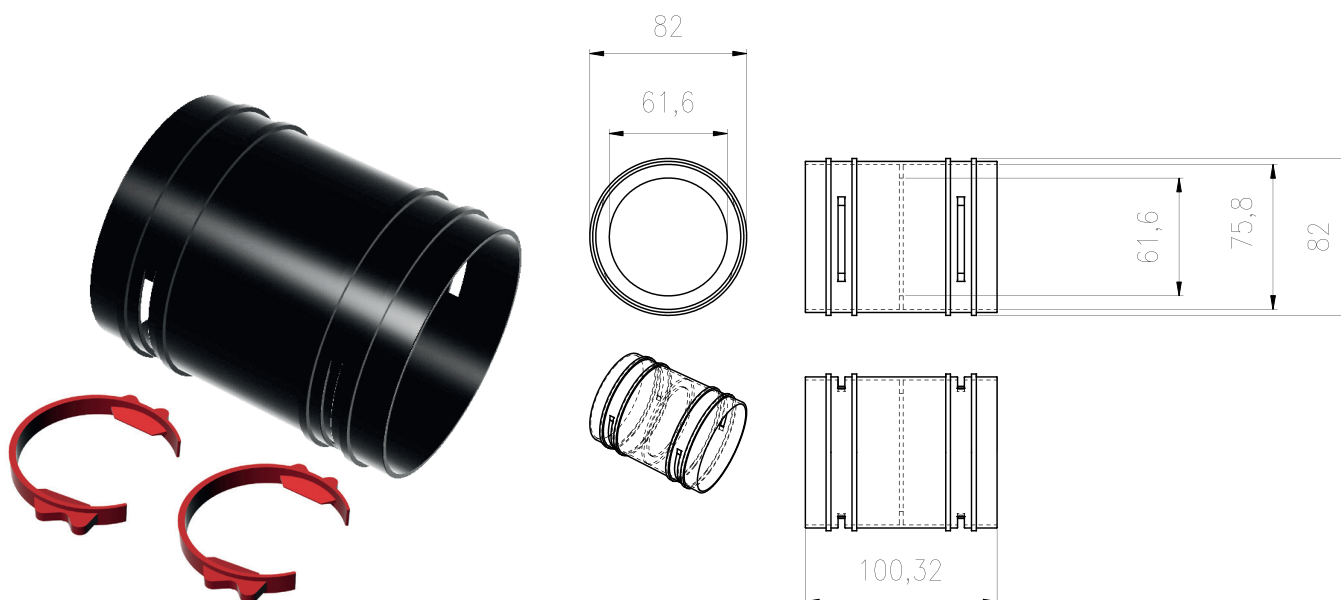
## SEMI-RIGID DUCT - BALANCING DAMPER

PART NUMBER  
AF-70-50-75BD



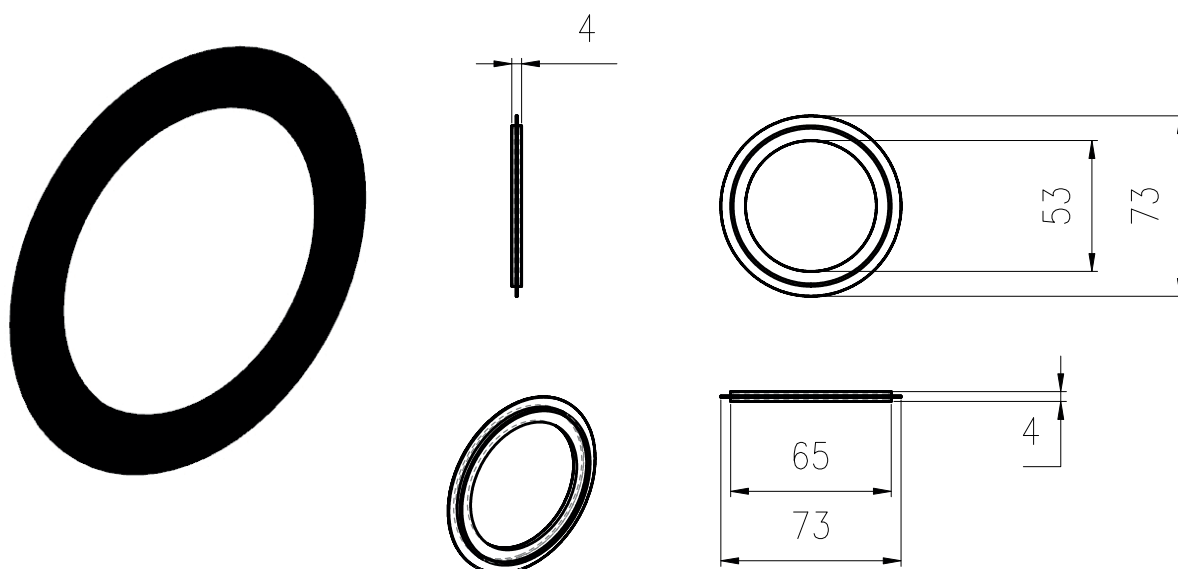
## 75mm SEMI-RIGID DUCT CONNECTOR

PART NUMBER  
AF-70-50-75DC



## 75mm SEMI-RIGID DUCT - SEALING GASKET RINGS

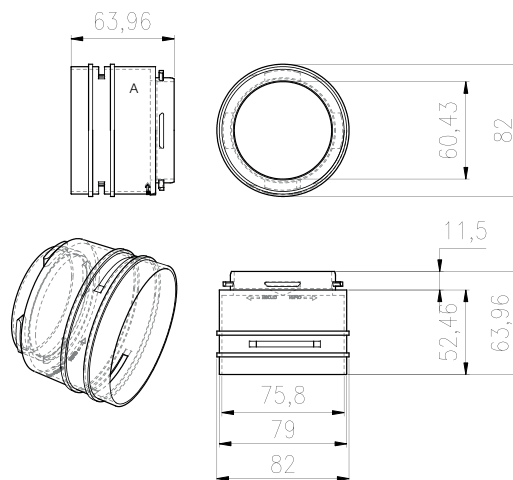
PART NUMBER  
AF-70-50-75GR





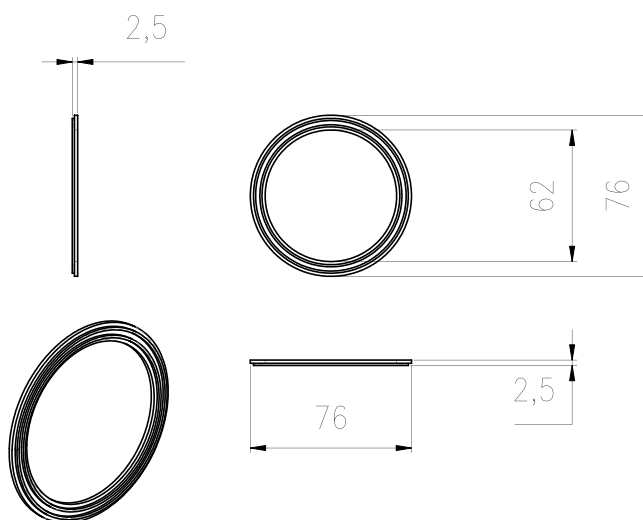
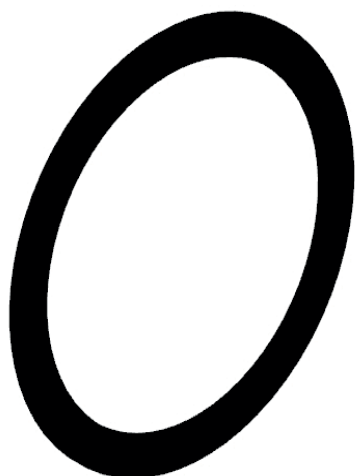
## DETACHABLE SPIGOT CONNECTION

PART NUMBER  
AF 70-50-75SP



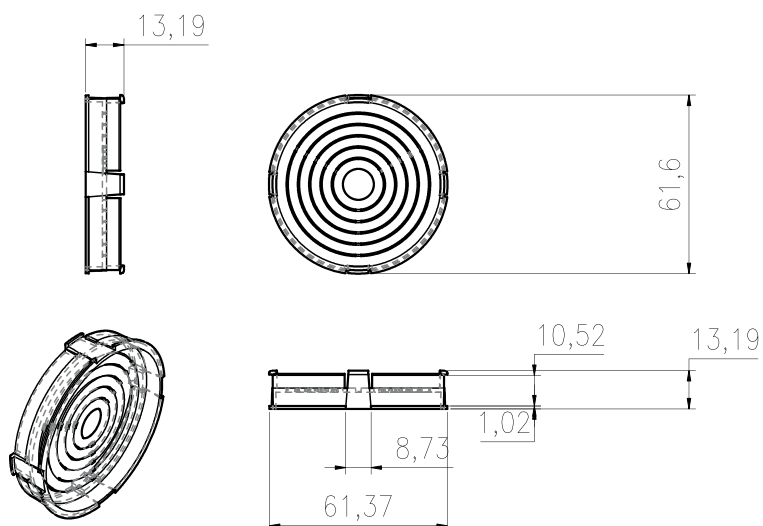
## SPIGOT SEALING GASKET RINGS - PACK OF 10

PART NUMBER  
AF 70-50-75SGR



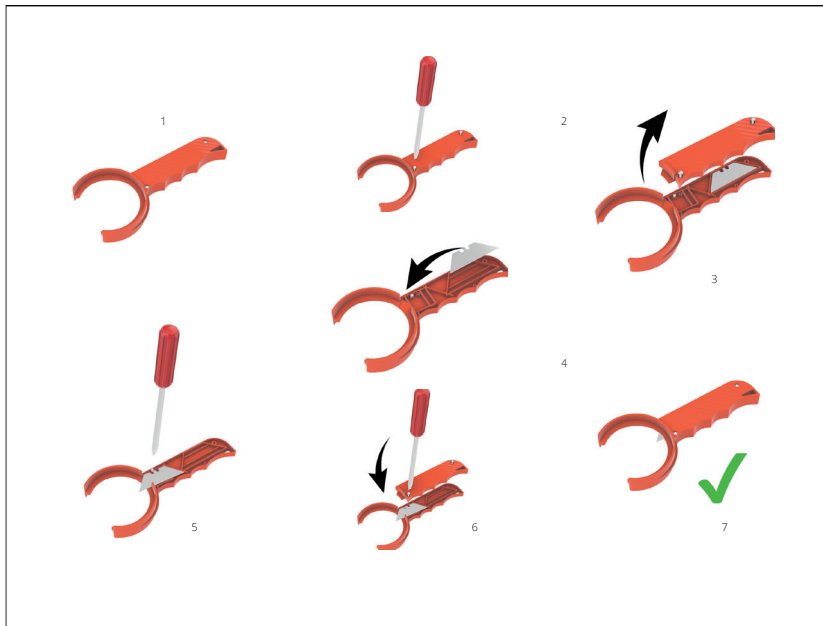
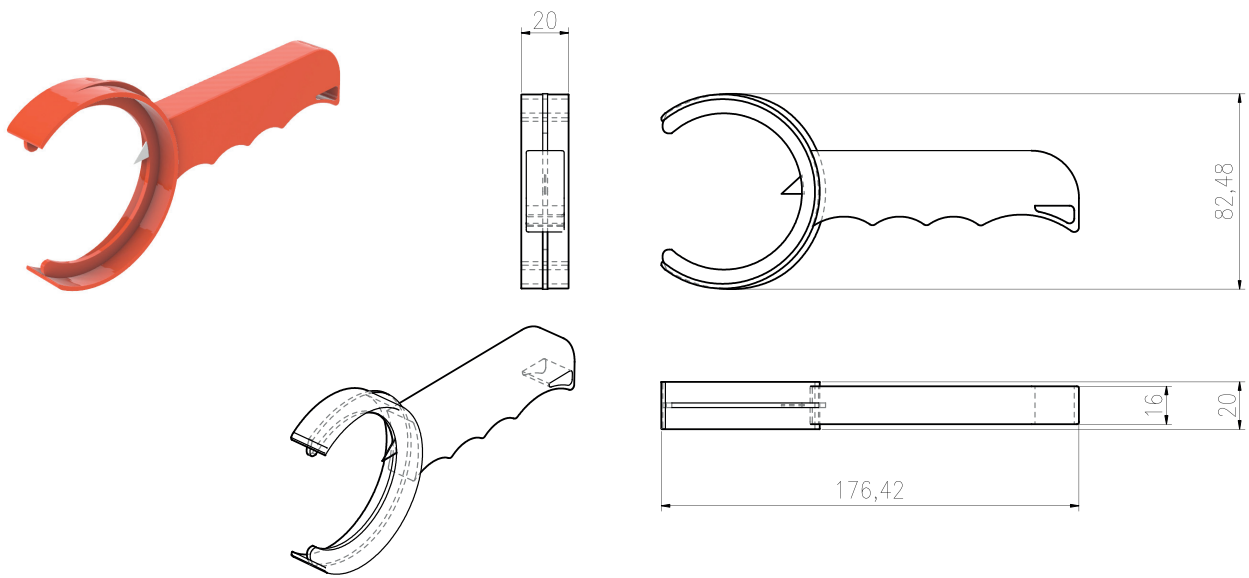
## AIR FLOW REGULATOR

PART NUMBER  
AF 70-50-75AR



## SEMI RIGID DUCT CUTTING TOOL

PART NUMBER  
AF 70-50-75CT



## AIRDUCT LUBRICANT

PART NUMBER  
AF 075-01-015



Airduct lubricant should be used to assist the installation of airduct semi rigid pipe with gasket to the spigot connections.

### Specification:

- Weight: 250g
- Colour: white
- pH: neutral

## **BROOKVENT**

Brook House  
Dunmurry Industrial Estate  
Dunmurry  
Belfast  
BT17 9HU

T: +44 (028) 6091 6505  
F: +44 (028) 9061 6518  
E: [orders@brookvent.co.uk](mailto:orders@brookvent.co.uk)