

User Guide



Installation Instructions

1. Prepare the slots and pre drill the holes as per Table 1 (overleaf) ,avoiding glazing rebates.
2. Screws should be Pan-head screws (e.g. No.6 x 5/8 self-tap Pan Pozi S/S A2) (included). Do not use Countersunk screws.

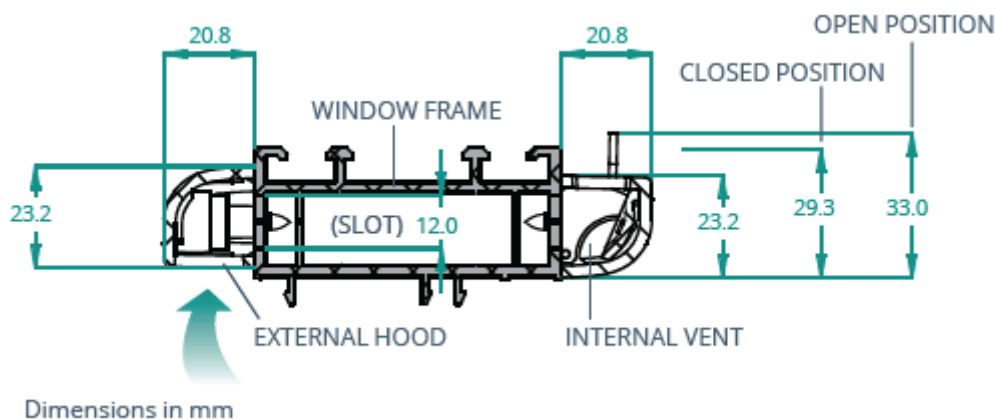
Fitting the Internal Vent (See Table 1)

1. Place the vent over the slot ensuring that the pre drilled holes are in line with the holes in the vent body.
2. Screw the vent to the frame (care should be taken not to over tighten the screws).
3. Insert the vent screw covers.

Fitting the External Hood (See Table 1)

1. Place the hood over the slot ensuring that the pre drilled holes are in line with the holes in the hood body.
2. Screw the hood to the frame (care should be taken not to over tighten the screws).
3. Insert the hood screw cover caps.

Cross Section Dimensions



User Guide

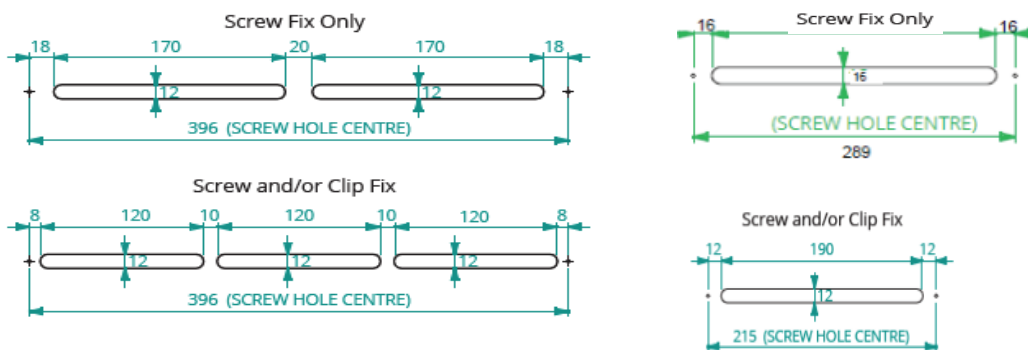
Installation Instructions

Table 1

Min Geometric Open Area (sq.mm)	O/A Slot Height (mm)	O/A Slot Length (mm)	O/A Vent Length (mm)	Vent Hole Centres (mm)	O/A Hood Length (mm)	Hood Hole Centres (mm)
2000	12	190	249	215	249	215
3000	16	258	315	289	315	289
4000	12	360	430	396	430	396

Slot Detail

Size: 2700mm² Equivalent Area | 4000mm² Geometric Open Area



Operation

1. To open the vent grip the control lever and pull until fully opened.
2. To close the vent grip the control lever and push until fully closed.
3. Do not block the internal vent or external hood

For the ventilation to work effectively the vent should be left in the open position as much as possible to maintain the indoor air quality and a healthy indoor environment.

Maintenance

The SM TIP Vent requires very little maintenance other than the occasional cleaning.

- Wipe the ventilator with a clean damp cloth. The frequency at which this needs to be done is dependent on local conditions.
- Clean away blockages with a soft brush or cloth.
- Do not lubricate.
- Where there is access and it is safe to do so; the above instructions also apply to the hood.