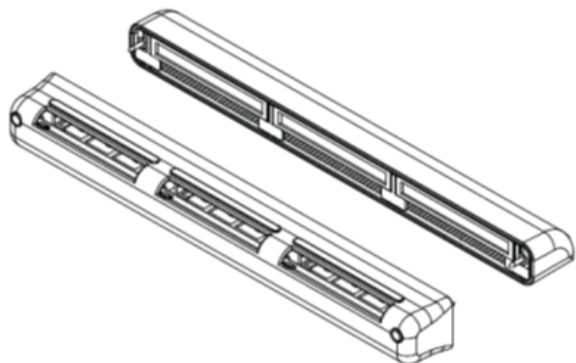


User Guide



Installation Instructions

1. Prepare the slots and pre drill the holes as per Table 1 (overleaf) avoiding glazing rebates.
2. For added weather performance silicon sealant should be used in the groove in the top of the hood.
3. Use countersunk screws provided.

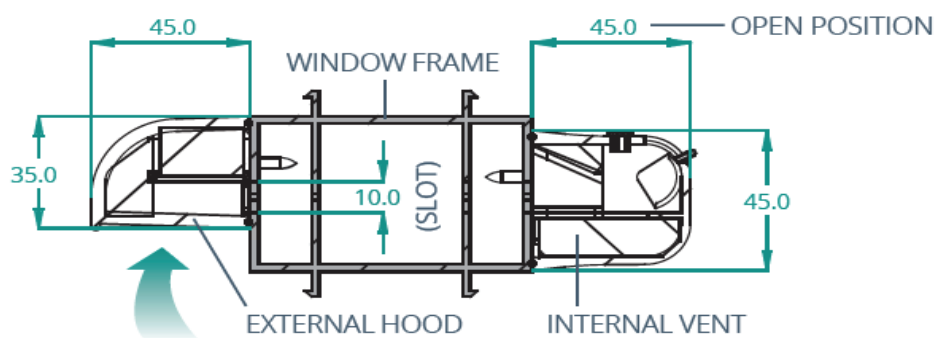
Fitting the Internal Vent (See Table 1)

1. Ensure that the vent is in the closed position (check that the hole in the fixing wedge is concentric with the hole in the vent body).
2. Place the vent over the slot and line up with the pre drilled holes. Screw the vent to the frame (care should be taken not to over tighten the screws).
3. Insert the vent screw cap covers.

Fitting the External Hood (See Table 1)

1. Place the hood over the slot ensuring that the slot is completely covered.
2. Screw the hood to the frame (care should be taken not to over tighten the screws).
3. Insert the hood screw cover caps.

Cross Section Dimensions



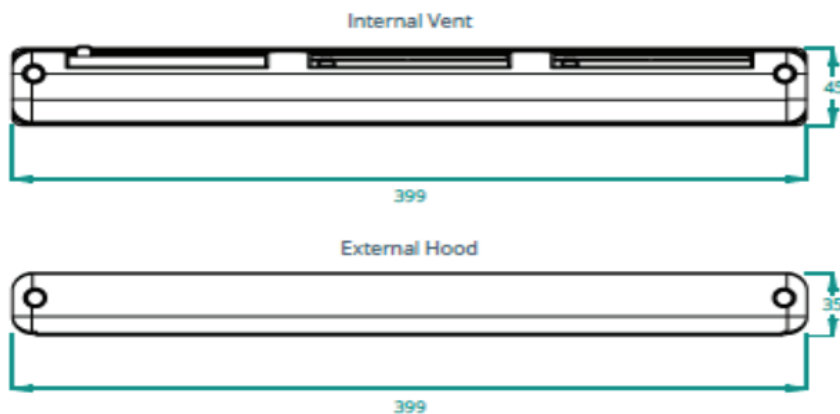
Dimensions in mm

User Guide

Installation Dimensions

Table 1

Min Geometric Open Area (sq.mm)	O/A Slot Height (mm)	O/A Slot Length (mm)	O/A Vent Length (mm)	Vent Hole Centres (mm)	O/A Hood Length (mm)	Hood Hole Centres (mm)
3000	10	350	399	378	399	378



Operation

1. To open the vent, grip the control lever and pull until fully opened.
2. To close the vent, grip the control lever and push until fully closed.
3. Do not block the internal vent or external hood.

For the ventilation to work effectively the vent should be left in the open position as much as possible to maintain the indoor air quality and a healthy indoor environment.

Maintenance

The SM Acoustic requires very little maintenance other than the occasional cleaning.

- Wipe the Ventilator with a clean damp cloth. The frequency at which this needs to be done is dependent on local conditions.
- Clean away blockages with a soft brush or cloth.
- Do not lubricate.
- Where there is access and it is safe to do so; the above instructions also apply to the hood.