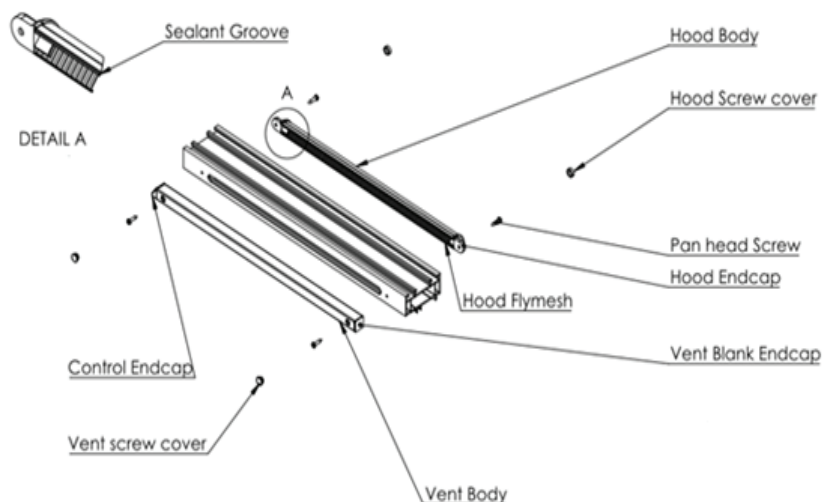


User Guide



Installation Instructions

1. Prepare the slots and pre drill the holes as per Table 1 (overleaf) avoiding glazing rebates.
2. For added weather performance silicon sealant should be used in the groove in the top of the hood.
3. Screws should be Pan-head screws (e.g. No.6 x 5/8 self-tap Pan Pozi S/S A2). Do not use Countersunk screws.
4. The screw should be suitable for the material it is being used in.

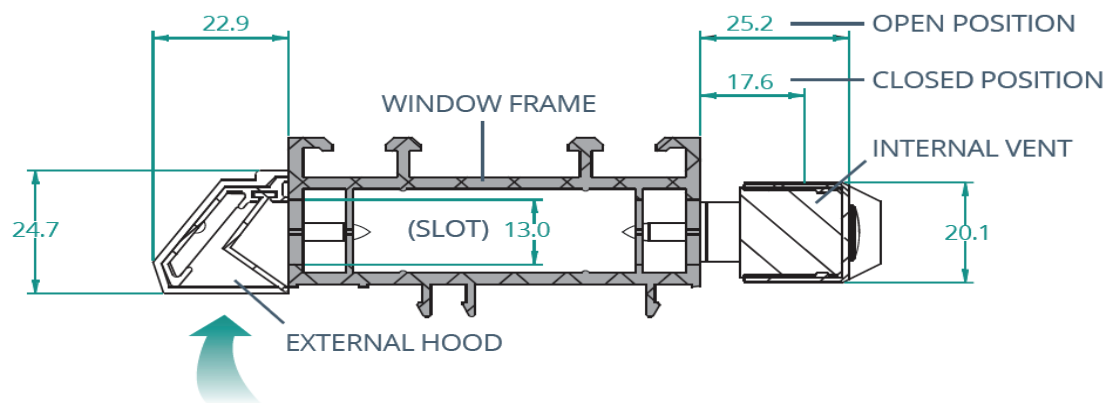
Fitting the Internal Vent (See Table 1)

1. Ensure that the vent is in the closed position (check that the hole in the fixing wedge is concentric with the hole in the vent body).
2. Screw the vent to the frame (care should be taken not to over tighten the screws).
3. Insert the vent screw covers.

Fitting the External Hood (See Table 1)

1. Place the hood over the slot ensuring that the slot is completely covered.
2. Screw the hood to the frame (care should be taken not to over tighten the screws).
3. Insert the hood screw cover caps.

Cross Section Dimensions



Dimensions in mm

User Guide

Installation Dimensions

Table 1

Min Geometric Open Area (sq.mm)	O/A Slot Height (mm)	O/A Slot Length (mm)	O/A Vent Length (mm)	Vent Hole Centres (mm)	O/A Hood Length (mm)	Hood Hole Centres (mm)
2000	13	160	240	197	205	189
3000	13	235	315	272	280	264
4000	13	320	400	357	365	349
5000	13	390	470	427	440	424
6000	13	470	550	507	520	504
7000	13	540	620	577	600	584
8000	13	620	700	657	680	664
Non-Std Sizes	13	Vent Length -80mm	Slot Length +80mm	Vent Length -43mm	Slot Length +60mm	Hood Length -16mm
				Slot Length +37mm		Slot Length +29mm
Min Equivalent Open Area (sq.mm)	O/A Slot Height (mm)	O/A Slot Length (mm)	O/A Vent Length (mm)	Vent Hole Centres (mm)	O/A Hood Length (mm)	Hood Hole Centres (mm)
2500	13	255	335	292	300	284
3000	13	300	380	337	345	329
3500	13	350	430	387	395	379
4000	13	395	475	432	440	424
4500	13	440	520	477	485	469
5000	13	485	565	522	530	514
Non-Std Sizes	13	Vent Length -80mm	Slot Length +80mm	Vent Length -43mm	Slot Length +45mm	Hood Length -16mm
				Slot Length +37mm		Slot Length +29mm
SM1200 8971sq.mm/M Equivalent Area. Tested in Accordance with BS:EN 13141-1:2004						

Operation

1. To open the vent, grip the control endcap as indicated and push until fully open.
2. To close the vent grip the control endcap as indicated and pull until fully closed.



3. Do not block the internal vent or external hood.

For the ventilation to work effectively the vent should be left in the open position as much as possible to maintain the indoor air quality and a healthy indoor environment.

User Guide

Maintenance

The SM1200 requires very little maintenance other than the occasional cleaning.

- Wipe the Ventilator with a clean damp cloth. The frequency at which this needs to be done is dependent on local conditions.
- Clean away blockages with a soft brush or cloth.
- Do not lubricate.
- Where there is access and it is safe to do so; the above instructions also apply to the hood.