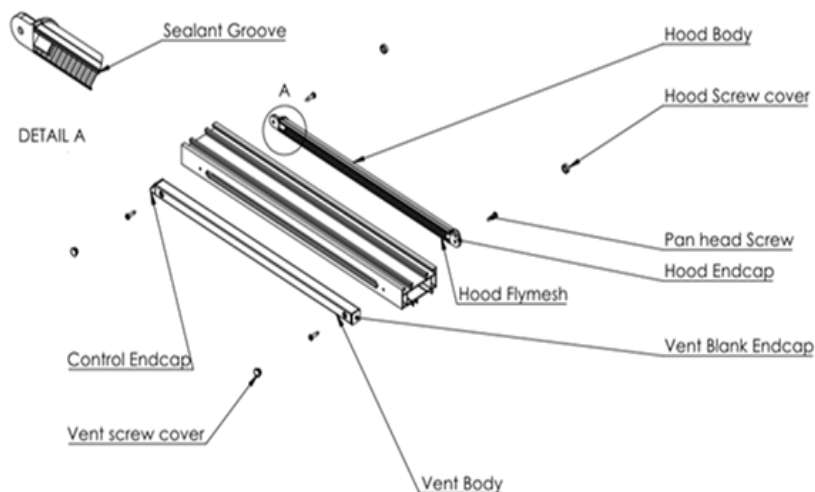


## User Guide



### Installation Instructions

1. Prepare the slots and pre drill the holes as per Table 1 (overleaf) avoiding glazing rebates.
2. For added weather performance silicon sealant should be used in the groove in the top of the hood.
3. Screws should be Pan-head screws (e.g. No.6 x 5/8 self-tap Pan Pozi S/S A2). Do not use Countersunk screws.
4. The screw should be suitable for the material it is being used in.

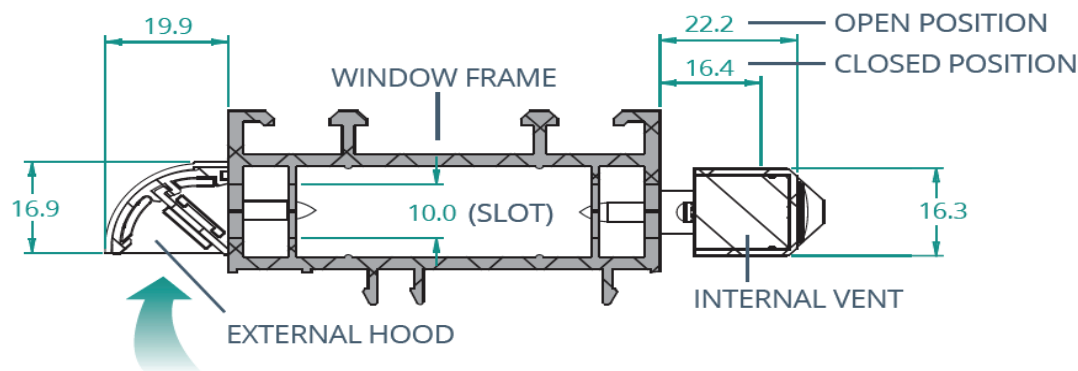
### Fitting the Internal Vent (See Table 1)

1. Ensure that the vent is in the closed position (check that the hole in the fixing wedge is concentric with the hole in the vent body).
2. Screw the vent to the frame (care should be taken not to over tighten the screws).
3. Insert the vent screw covers, (note the vent may not operate correctly unless these are fitted).

### Fitting the External Hood (See Table 1)

1. Place the hood over the slot ensuring that the slot is completely covered.
2. Screw the hood to the frame (care should be taken not to over tighten the screws).
3. Insert the hood screw cover caps.

### Cross Section Dimensions



Dimensions in mm

## User Guide

### Installation Dimensions

Table 1

Min Geometric Open Area (sq.mm)	O/A Slot Height (mm)	O/A Slot Length (mm)	O/A Vent Length (mm)	Vent Hole Centres (mm)	O/A Hood Length (mm)	Hood Hole Centres (mm)
3000	10	305	360	329	350	334
4000	10	405	460	429	450	434
5000	10	505	560	529	550	534
6000	10	605	660	629	650	634
<b>Non-Std Sizes</b>	10	Vent Length -55mm	Slot Length +55mm	Vent Length -31mm	Slot Length +45mm	Hood Length -16mm
				Slot Length +24mm		Slot Length +29mm
Min Equivalent Open Area (sq.mm)	O/A Slot Height (mm)	O/A Slot Length (mm)	O/A Vent Length (mm)	Vent Hole Centres (mm)	O/A Hood Length (mm)	Hood Hole Centres (mm)
2500	10	345	400	369	390	374
3000	10	415	470	439	460	444
3500	10	485	540	509	530	514
4000	10	555	610	579	600	584
<b>Non-Std Sizes</b>	10	Vent Length -55mm	Slot Length +55mm	Vent Length -31mm	Slot Length +45mm	Hood Length -16mm
				Slot Length +24mm		Slot Length +29mm
<b>SM 1000 7900sq.mm/M Equivalent Area Tested in Accordance with BS:EN13141-1:2004</b>						

### Operation

1. To open the vent, grip the control endcap as indicated and push until fully open.
2. To close the vent grip the control endcap as indicated and pull until fully closed.
3. Do not block the internal vent or external hood.

For the ventilation to work effectively the vent should be left in the open position as much as possible to maintain the indoor air quality and a healthy indoor environment.

### Maintenance

The SM1000 requires very little maintenance other than the occasional cleaning.

1. Wipe the Ventilator with a clean damp cloth. The frequency at which this needs to be done is dependent on local conditions.
2. Clean away blockages with a soft brush or cloth.
3. Do not lubricate.
4. Where there is access and it is safe to do so; the above instructions also apply to the hood.