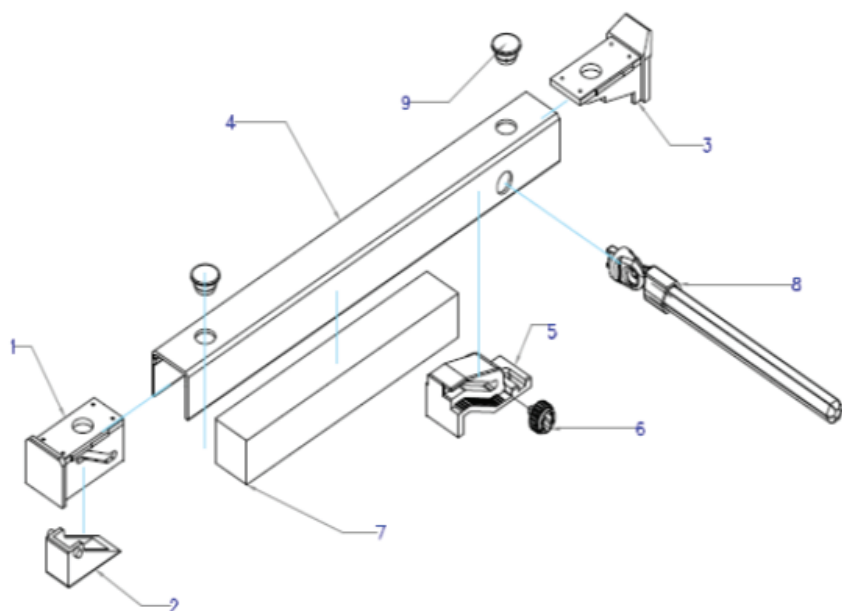


User Guide



1. Endcap Blank
2. Endcap Wedge
3. Endcap Control
4. Vent Body
5. SM 1000+ RH Rack
6. Pinion
7. Foam Seal
8. Rod sub assembly
9. Vent screw cover caps

Installation Instructions

1. Prepare the slots and pre drill the holes as per Table 1 (overleaf) avoiding glazing rebates.
2. For added weather performance silicon sealant should be used in the groove in the top of the hood.
3. Screws should be Pan-head screws (e.g. No.6 x 5/8 self-tap Pan Pozi S/S A2). Do not use Countersunk screws.
4. The screw should be suitable for the material it is being used in.

Fitting the Internal Vent (See Table 1)

1. Ensure that the vent is in the closed position (check that the hole in the fixing wedge is concentric with the hole in the vent body).
2. Screw the vent to the frame (care should be taken not to over tighten the screws).
3. Insert the vent screw covers caps.

Fitting the External Hood (See Table 1)

1. Place the hood over the slot ensuring that the slot is completely covered.
2. Screw the hood to the frame (care should be taken not to over tighten the screws).
3. Insert the hood screw cover caps.

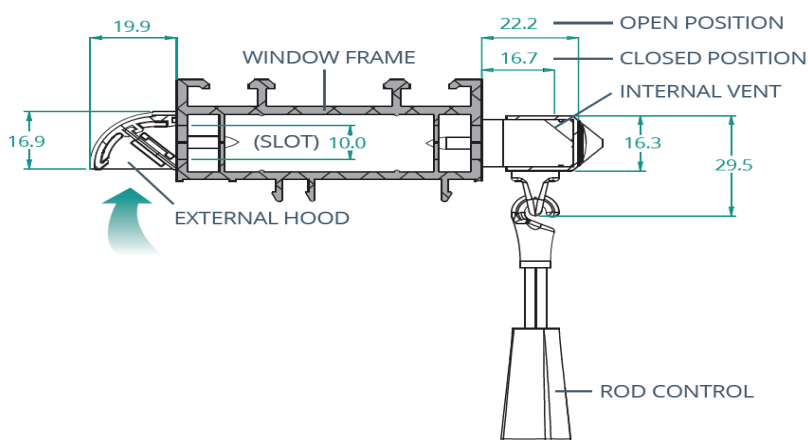
User Guide

Installation Dimensions

Table 1

| Min Equivalent Open Area (sq.mm) | O/A Slot Height (mm) | O/A Slot Length (mm) | O/A Vent Length (mm) | Vent Hole Centres (mm) | O/A Hood Length (mm) | Hood Hole Centres (mm) |
|----------------------------------|----------------------|----------------------|----------------------|------------------------|----------------------|------------------------|
| 2500 | 10 | 345 | 400 | 369 | 390 | 374 |
| 3000 | 10 | 415 | 470 | 439 | 460 | 444 |
| 3500 | 10 | 485 | 540 | 509 | 530 | 514 |
| 4000 | 10 | 555 | 610 | 579 | 600 | 584 |

Cross Section Dimensions

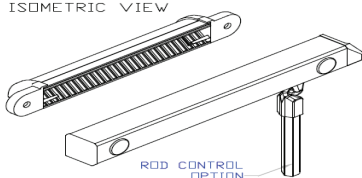


Dimensions in mm

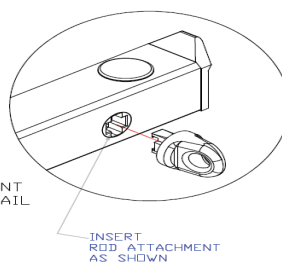
Operation

1. To open the vent, grip the control rod as indicated and rotate until fully opened.
2. To close the vent, grip the control rod as indicated and rotate until fully closed.

ISOMETRIC VIEW



ROD ATTACHMENT ASSEMBLY DETAIL



INSERT ROD ATTACHMENT AS SHOWN

Please note that if the rod attachment is removed it cannot be reinserted.

3. Do not block the internal or external hood.

For the ventilation to work effectively the vent should be left in the open position as much as possible to maintain the indoor air quality and a healthy indoor environment.

User Guide

Maintenance

The SM1000+ requires very little maintenance other than the occasional cleaning.

- Wipe the Ventilator with a clean damp cloth. The frequency at which this needs to be done is dependent on local conditions
- Clean away blockages with a soft brush or cloth.
- Do not lubricate.
- Where there is access and it is safe to do so; the above instructions also apply to the hood.