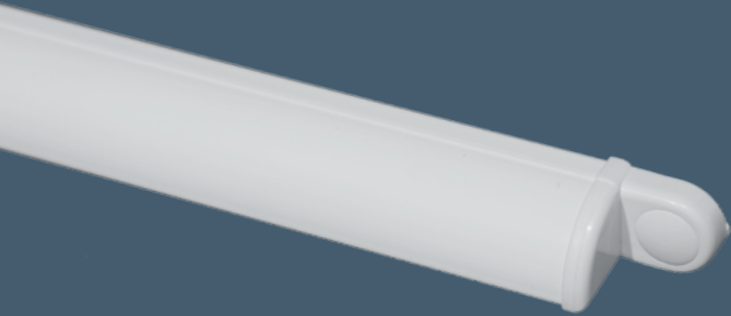


BROOKVENT

airvent 

SM 1000+

A slim, unobtrusive Surface Mounted vent complete with a thermal foam seal and rod control operation that complies with Part F & Part N (Building Regulations: England & Wales) ensuring ease of use



External Hood






Internal Vent

Features

- Slimline vent
- Rod Control (left or right hand)
- Thermal foam seal (excl. Slot Trickle)
- Insect grille
- Double action close position
- Manufactured from extruded aluminium
- Polyester powder coated
- 10 Year Guarantee

Options

-  Ready-made & Bespoke Sizes
- FC** Fully Controllable Ventilation
-  Upward Deflecting Slot Trickle
-  Rod length at: 300 / 600 / 900mm

Colours

-  White (HIPCA) RAL 9910 "Semi-gloss"
-  Black RAL 9005 "Semi-gloss"
-  Grey RAL 7016 "Matt"
-  Brown RAL 8017 "Semi-gloss"
-  Oak RAL 8003 "Semi-gloss"
-  Cream RAL 9001 "Semi-gloss"
-  Mill Finish

Bespoke Colours and Finishes Available

Part N excerpt:

"Controls should not be more than 1.9m above the floor or other permanent stable surface provided to give access, and not more than 1.7m if obstructed"

Slot Trickle Option

In the closed position the slot trickle option provides upward deflecting, draught free, ventilation up to 2500mm²/m (Open Area)

Air Permeability

50 Pa 0.14 l/s (Closed Position)

Tested to BS EN 13141-1

Water Tightness

Pressure @ No Leakage 600 Pa

Tested to BS EN 13141-1

Acoustics

Under normal conditions the airvent SM 1000+ achieved the following Sound Reduction results:

Position	Acoustic Detail
OPEN	Up to 32 db Dnt Rw
CLOSED	Up to 43 db Dnt Rw
OPEN	Up to 29 db Dne W
CLOSED	Up to 47 db Dne W

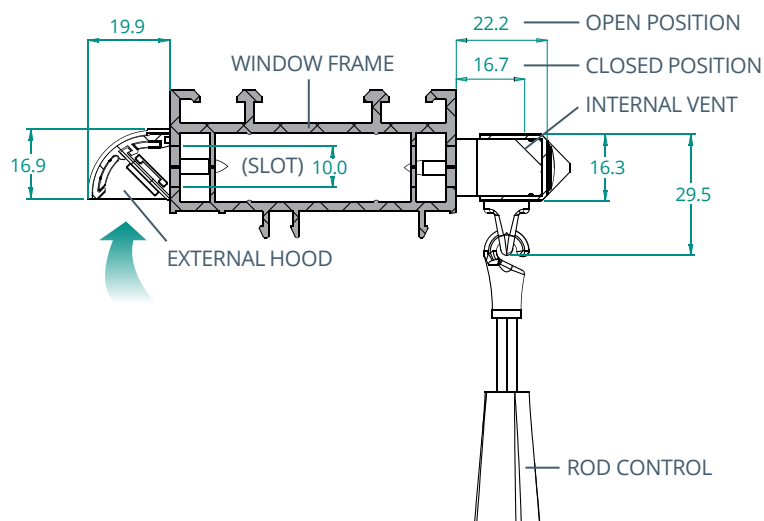
Acoustic test data available upon request

Equivalent Modular Sizes

Equivalent Area	Geometric Open Area	Overall Slot Size	Overall Vent Length	Overall Hood Length
2500mm ²	3450mm ²	10mm x 345mm	420mm	390mm
3000mm ²	4150mm ²	10mm x 415mm	490mm	460mm
3500mm ²	4850mm ²	10mm x 485mm	560mm	530mm
4000mm ²	5550mm ²	10mm x 555mm	630mm	600mm

☰ Bespoke sizes available

Cross Section Dimensions



Dimensions in mm



air window ventilation range