

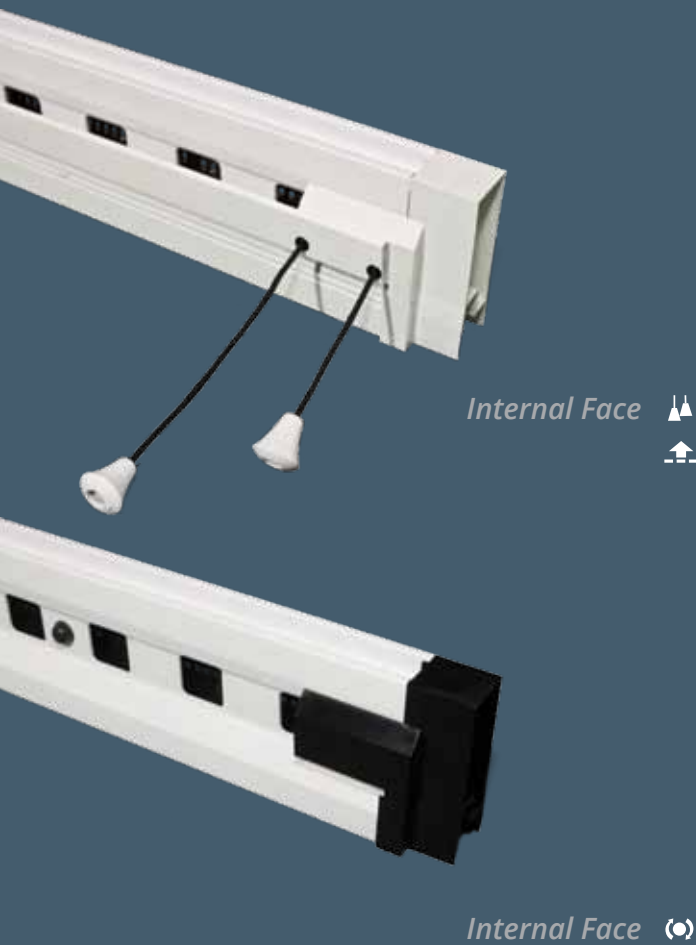
BROOKVENT

airvent

PD



A slim-line and robust Glazed-In vent particularly suited to sliding window and door applications



Features

- Slim-line external hood
- Insect grille (excl. Gas Option)
- Manufactured from extruded aluminium (vent body)
- Polyester powder coated
- 10 Year Guarantee
- uPVC Hood

Options

- Manual Control
- Cord Control (Right or Left hand)
- Bespoke Sizes
- Bar Length
- Upward Deflector
- **FC** Fully Controllable Ventilation
- Concealed Trickle Ventilation
- Permanently Open Ventilation
- Gas Regulation Vent

Colours

- White (HIPCA) RAL 9910 "Semi-gloss"
- Black RAL 9005 "Semi-gloss"
- Mill Finish (Vent Body Only)

Bespoke Colours and Finishes Available
(Vent Body Only)

Unit sizes (Glass Thickness)

Available in 24mm and 28mm

Sizing Guidelines

Whilst the Brookvent range of Glazed-in Window Ventilators has been designed to suit all window systems, Brookvent strongly advise a test installation be carried out. This test should:

- Check that the correct glass reduction has been applied
- Ensure that sufficient working clearance remains to successfully fit the glazing beads

Please note that the overall ventilator width is usually the same as the glass unit width.

Airflow Guide

Glass Thickness	Option	Equivalent Area/Metre	Length for 2500 EA	Length for 5000 EA	Geometric Open Area/Metre
24mm	PD Fully Controllable	8332	300mm	600mm	8884
24mm	PD Fully Controllable Upward Deflector	7324	341mm	683mm	8884
24mm	PD Concealed Trickle	8696	287mm	575mm	9344
24mm	PD Concealed Trickle Upward Deflector	7294	343mm	685mm	9344
28mm	PD Fully Controllable	8552	292mm	585mm	8884
28mm	PD Fully Controllable Upward Deflector	7262	344mm	689mm	8884
28mm	PD Concealed Trickle	8920	280mm	561mm	9344
28mm	PD Concealed Trickle Upward Deflector	7435	336mm	672mm	9344

☰ Bespoke sizes available

Air Permeability

50 Pa 1.7 l/s (Closed Position)

Tested to BS EN 13141-1

Water Tightness

Pressure @ No Leakage 150 Pa

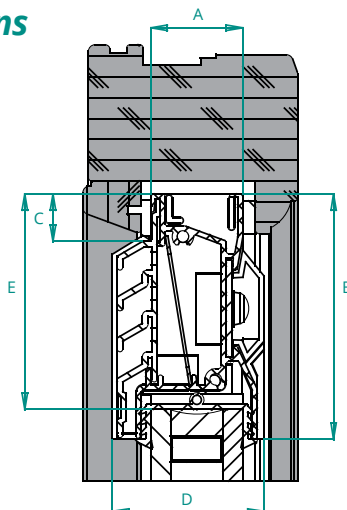
Tested to BS EN 13141-1

Cross Section Dimensions

PATIO DOOR

A (Glass Thickness)	24 28
B (Overall Height)	75 75
C (Rebate Depth)	15 15
D (Overall Width)	43 47
E (Glass Height Reduction)	65 65

Dimensions in mm



Glass Height Reduction (Guide Only)

For 24mm (Glass Thickness) the normal glass height reduction is 65mm for a 15mm rebate, to give a 12mm maximum glazing depth. If the rebate exceeds 15mm then the glass height should be reduced in proportion (e.g. 22mm rebate = 72mm reduction).

The 28mm (Glass Thickness) option may differ due to a 5mm height increase to the ventilator head detail (i.e. glass height reduction of 70mm). This allows for greater penetration into the window rebate without necessarily increasing the glass reduction.'

Bar Length

Internal face 3.7m

Acoustics

Under normal conditions the airvent PD Standard achieved the following Sound Reduction results:

Position	Acoustic Detail
FULLY OPEN (Normal Operation Mode)	Up to 27 db Dnt Rw Up to 31 db Dne W
CLOSED (Concealed Trickle)	Up to 37 db Dnt Rw Up to 37 db Dne W
CLOSED	Up to 38 db Dnt Rw Up to 40 db Dne W

Acoustic test data available upon request

