

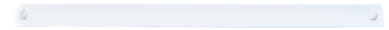
When you are looking for an acoustic vent, this is the best starting point. Three options giving up to 40dB Dnew attenuation and neat design makes this our best selling acoustic vent.



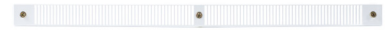
Internal Vent: 399 x 45 x 45 [mm]*



Acoustic Hood: 399 x 45 x 35 [mm]*



Slimline Hood: 399 x 26 x 20 [mm]*



Flat Grille: 399 x 23 x 3 [mm]*

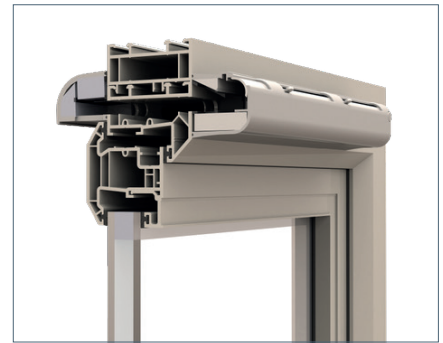
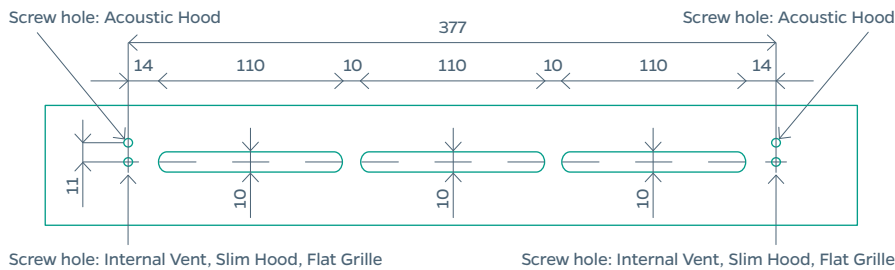
* /W x H x D/

Colours

- White RAL 9003
- Brown RAL 8017
- Basalt Grey RAL 7012
- Grey RAL 7016
- Oak RAL 8001
- Bespoke RAL

SLOT DETAIL [mm]:

Screw holes for the hood are offset 11 mm from the centre of the slot.



FEATURES:

- ✓ 40 db Dne W reduction in the open position
- ✓ 2500mm² Equivalent Area
- ✓ 3 external hood options
- ✓ 3 airflow modes with variable opening settings
- ✓ Modern, rounded design
- ✓ Manufactured from high quality, UV-stabilised ABS
- ✓ External hood complete with insect grille as standard
- ✓ Unique gasket seal design
- ✓ Removable slot trickle option as standard
- ✓ 5 year manufacturers guarantee

AIRFLOW / ACOUSTIC / WATER TIGHTNESS:

Under normal conditions the SM ACOUSTIC achieved the following Sound Reduction results:

	Equivalent Area EA [mm ²]	Open position D _{n,e,w} (C;C _{tr})	Closed position D _{n,e,w} (C;C _{tr})	Water tightness (Closed Position) [Pa]
SM Acoustic + Acoustic Hood	2500	40 (0;-1) dB	44(-1;-2)dB	600
SM Acoustic + Slimline Hood	2500	36 (0;0) dB	40(0;-1)dB	400
SM Acoustic + Flat Grille	2500	38 (-1;-1) dB	42(0;-2)dB	400

CROSS SECTION [mm]*:

